


# LUCECO

ENVIRONMENTAL & ENERGY SAVING

# LED LIGHTING



8<sup>th</sup> EDITION 

# LUCECO

## A SMARTER USE OF

# ELECTRICITY

## CONTACT US

### UK:

Tel: +44 (0) 1952 238 100  
Fax: +44 (0) 1952 238 180  
Email: [uk\\_sales@luceco.uk](mailto:uk_sales@luceco.uk)  
Nexus Industries Ltd  
Nexus Distribution Centre  
Stafford Park 1, Telford  
Shropshire, England, TF3 3BD

### GERMANY:

Tel: +49 40 89066 878 - 0  
Fax: +49 40 89066 878 - 29  
Email: [eu\\_sales@luceco.de](mailto:eu_sales@luceco.de)  
Nexus Industries GmbH  
Holstenplatz 20b  
22765 Hamburg, Germany

### FRANCE:

Tel: +33 (0)1 6110 10 35  
Fax: +33 (0)1 5731 74 19  
Email: [fr\\_sales@luceco.fr](mailto:fr_sales@luceco.fr)  
Luceco SAS France & Belux  
3 Rue de Courtalin  
Magny Le Hongre 77700  
FRANCE & BELUX

### ITALY:

Tel: +39 0434 1696795  
Fax: +39 0434 1696795  
Email: [it\\_sales@luceco.co](mailto:it_sales@luceco.co)  
Nexus Italia, Via Amman 10  
33170 Pordenone, Italy

### SPAIN:

Tel: +34 93 576 83 21  
Fax: +34 93 576 83 21  
Email: [sp\\_sales@luceco.co](mailto:sp_sales@luceco.co)  
Nexus Industries LTD  
Liessamins, 6, 08338  
Premia de Dalt  
Barcelona, Spain

### MIDDLE EAST:

Tel: +971 4 609 1867  
Fax: +971 4 609 1868  
Email: [mea\\_sales@luceco.uk](mailto:mea_sales@luceco.uk)  
Luceco Middle East FZE  
Bldg. 5EB, Office 342  
PO Box 371128, DAFZA  
Dubai, UAE

### ASIA PACIFIC:

Tel: +86 (0) 573 8357 0200  
Fax: +86 (0) 573 8357 0248  
Email: [asia\\_sales@luceco.cn](mailto:asia_sales@luceco.cn)  
No 1438, Jiachuang Road  
Xiuzhou Industrial Park, Jiaxing  
Zhejiang, China, P.C. 314031

### NORTH & SOUTH AMERICA:

Tel: +1 281 978 2509  
Fax: +1 281 466 4620  
Email: [us\\_sales@luceco.co](mailto:us_sales@luceco.co)  
Luceco Inc, 11050 W Little York Road  
Building C-2, Houston, TX 77041, USA

### MEXICO:

Tel: +52 (81) 5000 9437  
Email: [servicioclientes@luceco.mx](mailto:servicioclientes@luceco.mx)  
Luceco México S. de R.L. de C.V.  
LME 150326 1W2 Batallón de San Patricio  
#109 Sur, Col. Valle Oriente, San Pedro Garza  
García N.L. México CP 66260 (Torre Avalanz)

### AFRICA:

Tel: +27 11 432 6779  
Fax: +27 86 219 2099  
Email: [africa\\_sales@luceco.co](mailto:africa_sales@luceco.co)  
Unit 2, Cedarwood Office Park  
Cnr. Western Service and  
Mount Lebanon Road, Woodmead  
South Africa, 2144

### HEAD OFFICE:

Email: [info@luceco.uk](mailto:info@luceco.uk)  
Nexus Industries Ltd, Caparo House  
103 Baker Street, London  
England, W1U 6LN

### TECHNICAL SUPPORT:

Tel: 03300 249 279  
Email: [technical@luceco.uk](mailto:technical@luceco.uk)  
Lines open Monday to Friday  
8.30am to 5pm, with answer phone  
service outside these hours.

### WEBSITE:

For further information and other  
literature items please visit

[www.luceco.uk](http://www.luceco.uk)



Nexus Industries Ltd. Group company

[www.nexusinds.com](http://www.nexusinds.com)

Cover image by Marc Khachfe



# CONTENTS

## INTERIOR LIGHTING

### **LUXPANEL** 08

Square Backlit  
Square Edgelit Frameless  
Square Edgelit Framed  
Surface Modular  
Accessories  
Circular Edgelit  
IP Rated

### **SURFACE & PENDANT** 18

Academy  
Decorative Surface  
Pendant

### **DOWNLIGHTS** 22

Platinum  
Carbon  
Atom Fire Rated  
Modular  
Decorative

### **AMBIENT** 32

Atlas Bulkhead  
Mosi Bulkhead  
Taska Under Cabinet  
Wall Mounted Accent  
Surface Spots  
Track

### **INDUSTRIAL** 40

Climate  
LuxPack Batten  
Indus  
Titan High Bay  
Ceres

### **EMERGENCY** 46

## EXTERIOR LIGHTING 52

Atlas Bulkhead  
Wall Pack  
Commercial Floodlights  
Slimline Guardian Floodlights  
Slimline Work Lights  
Decorative Exterior

## LAMPS & TUBES 66

### **LED LAMPS**

GU10  
MR16  
A60/A70 Classic  
B45 Mini Globe  
C30 Candle  
Capsules  
Corn  
PAR  
GX53  
R Series

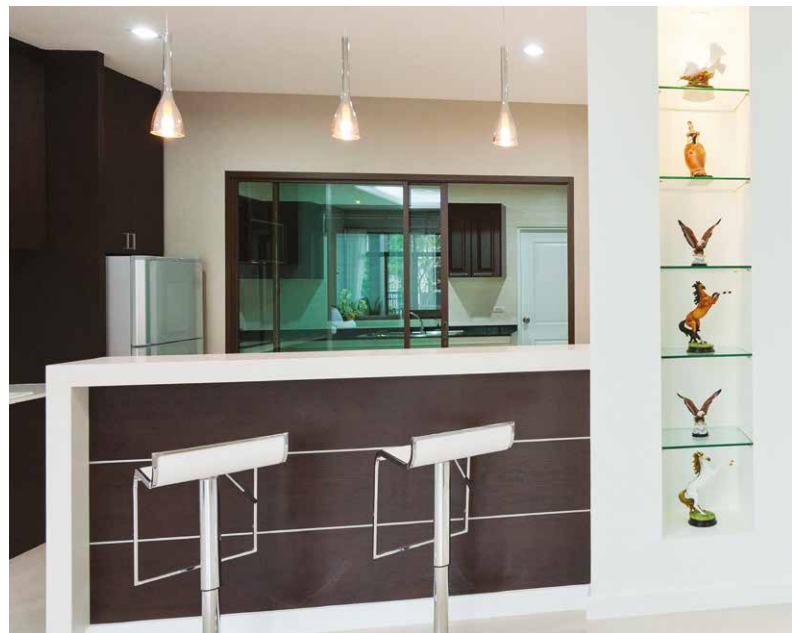
### **TUBES**

T8  
S15

### **LUXBAND**

## CONTROLS & DRIVERS 78

Sensors  
PIR  
Programmable  
Drivers



MASSIVE  
SAVINGS

Luceco, the global lighting brand from Nexus Industries, is a £120m manufacturing business supplying high efficiency, energy saving LED luminaires to the trade, retail and specification markets.

Our reputation is based on the reliability and functionality of our innovative products. By offering market leading warranties, technical support, dedicated customer service and marketing backup, we aim to make it easy for customers to specify and install sustainable lighting.

The teams behind Luceco have over 100 years combined lighting industry experience gained over disciplines such as product design, development, testing and product management. This enviable expertise coupled with the resources of Nexus mean that Luceco have the knowledge and ability to be at the forefront of LED lighting technology.

Luceco believe that we have a responsibility to care for and protect the environment in which we operate. We are fully committed to improving environmental performance across all of our manufacturing and other business activities, continually looking for new methods and materials to provide environmentally friendly solutions.

Our international offices provide sales and support to the UK, Europe, Middle East, USA, Asia-pacific and Africa.

# WARRANTY\*

## 1 YEAR ON SITE WARRANTY (UK ONLY)

Should a product that has been correctly specified, professionally installed by a registered trades person and operated in accordance with the specified parameters, fail during its first year of installation, Luceco will arrange for the product to be repaired or replaced at our discretion.

## 3 YEAR STANDARD WARRANTY

Luceco offers a standard 3 year warranty for non registered products. If a product was to fail during this period, Luceco will arrange for the product to be repaired or replaced with an equal or substitute product at our discretion.

## 5 & 7 YEAR EXTENDED WARRANTIES

Luceco offers 5 & 7 year\*\* extended warranties against selected products where the installation is registered on [www.luceco.uk](http://www.luceco.uk). Installations must be carried out by a approved contractor and in accordance with the terms and conditions detailed on the Luceco website.



\*1 year on site warranty, 3 year warranty and 5 & 7 year extended warranties only available in the UK. Rest of the world may vary, please ask your local distributor for more information.

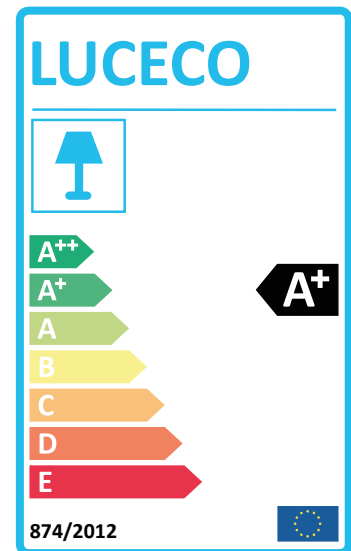
\*\*For products with emergency control gear, the extended warranty is limited to **4 years** for the emergency components, due to the rated service life of the batteries.

# EU ENERGY LABELLING

Luceco LED products are characterised by very low energy consumption. Our luminaires are very effective and can meet the requirements of minimum Class A, many at A+ or A++.

The EU energy label gives information about the energy efficiency of a product. The label rates products from dark green (most efficient) to red (least efficient). Dark green rated products use less energy and help you to lower your energy bills and CO<sub>2</sub> emissions.

[www.gov.uk/guidance/the-energy-labelling-of-products](http://www.gov.uk/guidance/the-energy-labelling-of-products)



# LIGHTING INDUSTRY ASSOCIATION

The Lighting Industry Association is the largest lighting industry trade association in Europe. Their mission is to strengthen the industry and promote the benefits of good quality lighting by representing all aspects of UK, EU and international legislation and standards at the highest level whilst protecting the interests of both the public and its members.

[www.thelia.org.uk](http://www.thelia.org.uk)





## CARBON TRUST

The Carbon Trust is a world-leading organisation helping businesses, governments and the public sector to accelerate the move to a sustainable, low carbon economy through carbon reduction, energy-saving strategies and commercialising low carbon technologies.

As a Carbon Trust Accredited Supplier, Luceco joins a market-leading scheme for high quality energy efficient equipment and renewable technology suppliers. It provides independent validation and recognition of a supplier's skills and services - a much needed and trusted quality standard in a crowded and fast growing market place. Accredited Suppliers must meet or exceed criteria set by the Carbon Trust, designed to examine their capability to deliver thoughtful, well-designed, energy efficient and renewable energy systems.



## COST SAVINGS & ENERGY REDUCTION

Incandescent lighting converts only 5% of energy into light; the remaining energy is converted into heat. LEDs convert up to 80% of energy into light, so they greatly reduce power consumption.

Lighting accounts for approximately 30% of the power used in offices. LED therefore provides huge potential to **reduce electricity consumption** and its associated costs.

Other financial benefits include **less maintenance** (lamp change); **no expensive disposal** (unlike fluorescent lamps, LEDs contain no mercury or other harmful materials); and **improved staff productivity** (LED light provides a bright and pleasant working environment). **Air conditioning costs are also reduced** due to the lower amount of heat emitted from LED lighting, as well as life extension of the air conditioning unit because it is not worked so hard.

## ENHANCED CAPITAL ALLOWANCE

The Enhanced Capital Allowance (ECA) scheme is a key part of the Government's programme to manage climate change. It provides businesses with enhanced tax relief for investments in equipment that meets published energy-saving criteria. Luceco can offer a wide number of products that meet the eligibility criteria. Using ECA compliant luminaires can drastically improve ROI figures.

[www.etl.decc.gov.uk](http://www.etl.decc.gov.uk)



# Why LED?

## ENVIRONMENTALLY FRIENDLY

Fluorescent lighting contains mercury. LEDs do not. This makes LEDs safer both to use and dispose of. The mercury contained in just one fluorescent lamp is enough to contaminate 30,000 litres of water beyond safe drinking level limits. Fluorescent lamps are therefore classified as 'hazardous waste'.



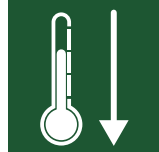
## COST EFFECTIVE

The true cost of fluorescent lighting is not only in its energy consumption. There is also maintenance over its lifetime, replacement labour and lamp outlay, and disposal costs. With LED, these costs don't exist. LED is a Fit-&-Forget solution.



## SAFE LIGHTING

LEDs emit minimal Ultra Violet light (UV). UV light attracts insects and can be harmful to skin, clothing and artwork. Heat emissions are greatly reduced with LED, which means they are cool to touch and perfect for heat sensitive applications.



## INSTANT LIGHT

LEDs produce 100% light instantly, with none of the warm up time required by fluorescents.



## DURABILITY

LEDs do not contain a filament that can be damaged by shock and vibration – making LED one of the most stable light sources available.



## LONG LIFE

The life of LED is between 4 and 40 times greater than traditional products. What's more, they produce consistent light output over their entire life.





# LUXPANEL

LuxPanel Edgelit Framed  
600mm x 600mm

A range of high efficiency recessed luminaires to replace fluorescent multi-lamp fittings. Suitable for exposed grid ceiling types, with variations to suit metal pan ceilings available to special order.

Square Backlit	09
Square Edgelit Frameless	10
Square Edgelit Framed	11
Surface Modular	12
Accessories	14
Circular Edgelit	16
IP Rated	17

## RANGE FEATURES

- Supplied with remote 'plug-and-play' driver, available in standard fixed output or dimmable. All compatible with emergency pack accessory.
- Quick and easy to install with no maintenance requirements.
- 4800K 'neutral white' colour temperature as standard; other colour temperatures available to order, subject to minimum requirement - 3000K / 4000K / 6000K.

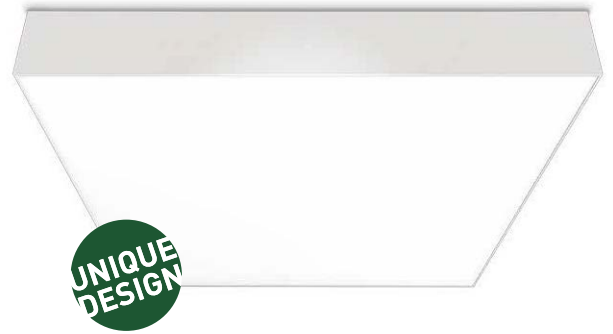


- Other sizes available: 200mm x 200mm, 300mm x 300mm, 500mm x 500mm, 1500mm x 300mm.



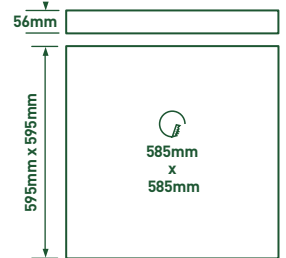
# BACKLIT FRAMELESS

Premium frameless appearance, boasting even lower wattage and higher efficacy.



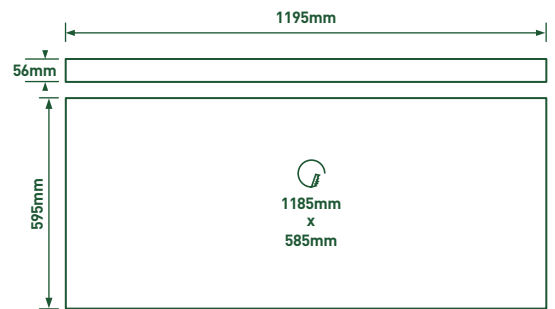
## 600mm x 600mm

CAT NO.	DRIVER	LUMINAIRE LUMENS	WATTAGE	EFFICACY Llm/W	CURRENT
LPB6625S48	Standard	2500	17W	147	350mA
LPB6625D48	Dimmable	2500	17W	147	350mA
LPB6635S48	Standard	3500	24W	146	500mA
LPB6635D48	Dimmable	3500	24W	146	500mA



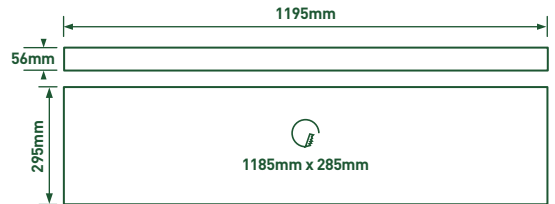
## 1200mm x 600mm

CAT NO.	DRIVER	LUMINAIRE LUMENS	WATTAGE	EFFICACY Llm/W	CURRENT
LPB61250S48	Standard	5000	35W	142	700mA
LPB61250D48	Dimmable	5000	35W	142	700mA
LPB61270S48	Standard	7000	50W	140	1050mA
LPB61270D48	Dimmable	7000	50W	140	1050mA



## 1200mm x 300mm

CAT NO.	DRIVER	LUMINAIRE LUMENS	WATTAGE	EFFICACY Llm/W	CURRENT
LPB31225S48	Standard	2500	17W	147	350mA
LPB31225D48	Dimmable	2500	17W	147	350mA
LPB31235S48	Standard	3500	24W	146	350mA
LPB31235D48	Dimmable	3500	24W	146	350mA



- LED3EP80-0J - Emergency pack available, see page 15



### OFFICE LIGHTING COMPLIANT



Exceeds the requirements of the Society of Light and Lighting's Lighting Guide 7 (SLL LG7) and EN12464-1;

- 65° cut-off angle to limit glare on screens
- UGR of 19 or lower to eliminate discomfort glare to room occupants

In addition to the above, LuxPanel's can also offer exceptional efficacy of over 145 Luminaire lumens per circuit watt (Llm/W) whilst providing illuminance and uniformity in accordance with the requirements of LG7 and EN12464-1. Many other LED panels can not meet all these requirements.



## EDGELIT FRAMELESS

600mm x 600mm

Up to 13% extra surface area per panel,  
with no visible frame when installed.

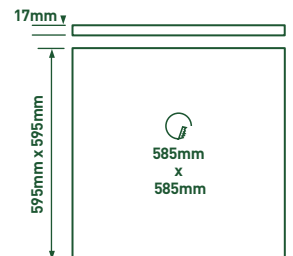
**4800K**  
NEUTRAL  
WHITE

**700**  
mA

**WHITE**  
FINISH

CAT NO.	DRIVER	LUMINAIRE LUMENS	WATTAGE	EFFICACY Llm/W
LPE6628S48	Standard	2800	30W	93
LPE6628D48	Dimmable	2800	30W	93
LPE6635S48	Standard	3500	35W	100
LPE6635D48	Dimmable	3500	35W	100

- LED3EP80-0J - Emergency pack available, see page 15



## EDGELIT FRAMELESS

1200mm x 300mm

Up to 13% extra surface area per panel,  
with no visible frame when installed.

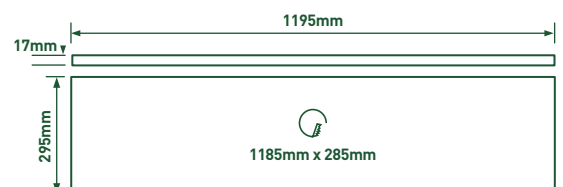
**4800K**  
NEUTRAL  
WHITE

**700**  
mA

**WHITE**  
FINISH

CAT NO.	DRIVER	LUMINAIRE LUMENS	WATTAGE	EFFICACY Llm/W
LPE31228S48	Standard	2800	30W	93
LPE31228D48	Dimmable	2800	30W	93
LPE31235S48	Standard	3500	35W	100
LPE31235D48	Dimmable	3500	35W	100

- LED3EP80-0J - Emergency pack available, see page 15



# EDGELIT FRAMED

## 600mm x 600mm

The classic LuxPanel design, with a subtle white frame surround.

**4800K**  
NEUTRAL  
WHITE

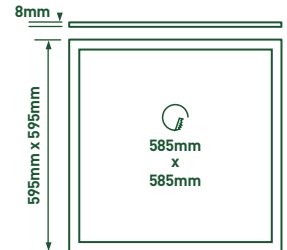
**700**  
mA  
— — —

**WHITE**  
FINISH



CAT NO.	DRIVER	LUMINAIRE LUMENS	WATTAGE	EFFICACY Llm/W
LP66W28S48	Standard	2800	30W	93
LP66W28D48	Dimmable	2800	30W	93
LP66W35S48	Standard	3500	35W	100
LP66W35D48	Dimmable	3500	35W	100

- LED3EP80-0J - Emergency pack available, see page 15



# EDGELIT FRAMED

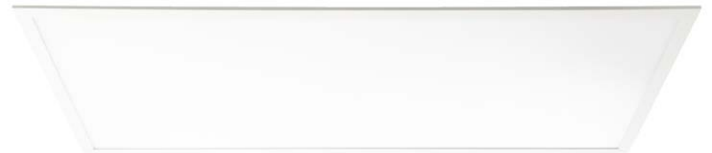
## 1200mm x 600mm

The classic LuxPanel design, with a subtle white frame surround.

**4800K**  
NEUTRAL  
WHITE

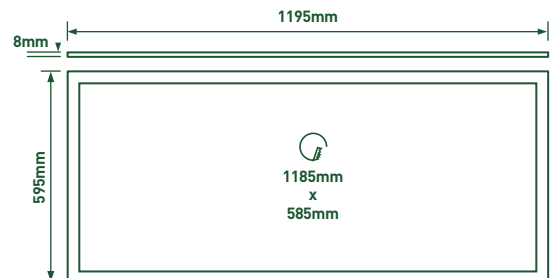
**1400**  
mA  
— — —

**WHITE**  
FINISH



CAT NO.	DRIVER	LUMINAIRE LUMENS	WATTAGE	EFFICACY Llm/W
LP612W50S48	Standard	5000	60W	84
LP612W50D48	Dimmable	5000	60W	84

- LED3EP80-0J - Emergency pack available, see page 15



# EDGELIT FRAMED

## 1200mm x 300mm

The classic LuxPanel design, with a subtle white frame surround.

**4800K**  
NEUTRAL  
WHITE

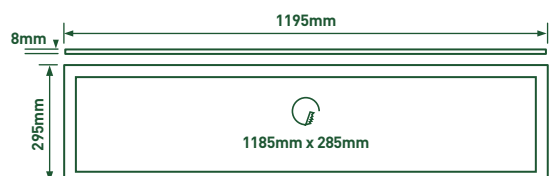
**700**  
mA  
— — —

**WHITE**  
FINISH



CAT NO.	DRIVER	LUMINAIRE LUMENS	WATTAGE	EFFICACY Llm/W
LP312W28S48	Standard	2800	30W	93
LP312W28D48	Dimmable	2800	30W	93
LP312W35S48	Standard	3500	35W	100
LP312W35D48	Dimmable	3500	35W	100

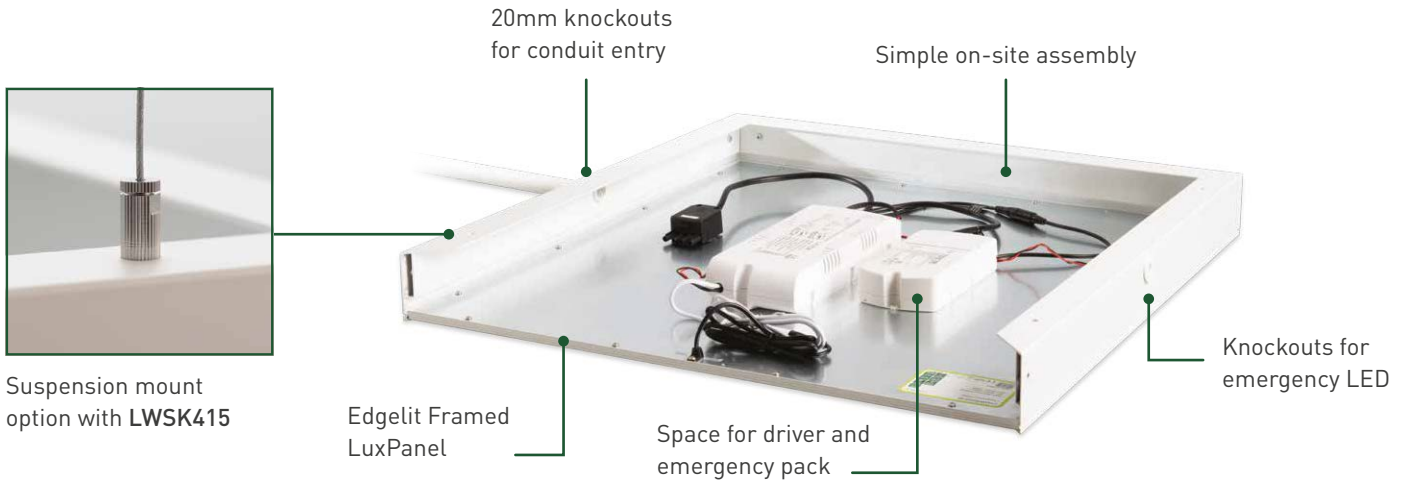
- LED3EP80-0J - Emergency pack available, see page 15



# SURFACE MODULAR

A range of surface mounted Edgelit Framed LuxPanels designed to replace traditional fluorescent modular fittings. This range brings all the benefits of the LED LuxPanel range with a simple to install extruded aluminium frame.

This minimalist design allows use of existing cable entry and fixing position, to any solid ceiling type, perfect for retrofit installations.



## 1. SCREW THREE SIDES TO CEILING



## 2. WIRE AND INSERT PANEL

Space for emergency pack, driver and wiring.



## 3. ATTACH CLOSING SECTION

Flush grub screws included for a seamless appearance.



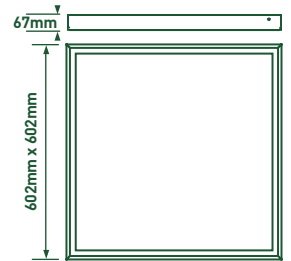


LuxPanel Surface Modular  
600mm x 600mm

### 600mm x 600mm

CAT NO.	DRIVER	LUMINAIRE LUMENS	WATTAGE	EFFICACY Llm/W	CURRENT
LPS66W28S48	Standard	2800	30W	93	700mA
LPS66W28D48	Dimmable	2800	30W	93	700mA
LPS66W35S48	Standard	3500	35W	100	700mA
LPS66W35D48	Dimmable	3500	35W	100	700mA

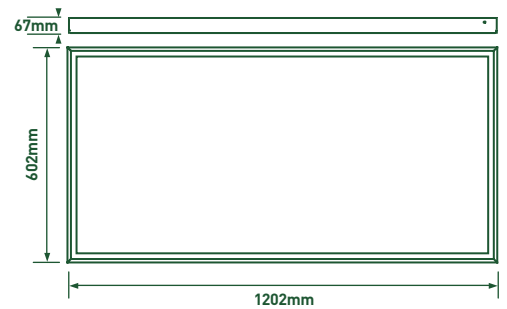
- LED3EP80-0J - Emergency pack available, see page 15



### 1200mm x 600mm

CAT NO.	DRIVER	LUMINAIRE LUMENS	WATTAGE	EFFICACY Llm/W	CURRENT
LPS612W50S48	Standard	5000	60W	84	1400mA
LPS612W50D48	Dimmable	5000	60W	84	1400mA

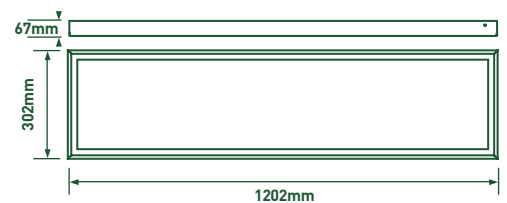
- LED3EP80-0J - Emergency pack available, see page 15



### 1200mm x 300mm

CAT NO.	DRIVER	LUMINAIRE LUMENS	WATTAGE	EFFICACY Llm/W	CURRENT
LPS312W28S48	Standard	2800	30W	93	700mA
LPS312W28D48	Dimmable	2800	30W	93	700mA
LPS312W35S48	Standard	3500	35W	100	700mA
LPS312W35D48	Dimmable	3500	35W	100	700mA

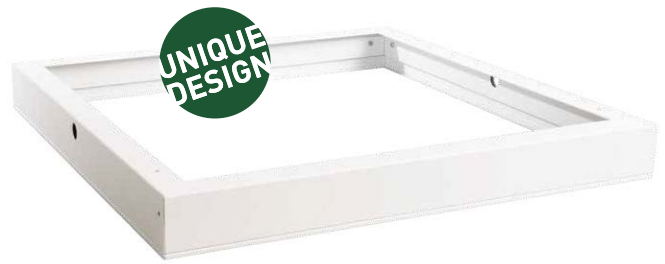
- LED3EP80-0J - Emergency pack available, see page 15



# SURFACE MOUNTING FRAME

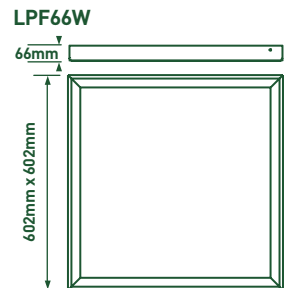
Surface mounting frame for Edgelit Framed and Frameless panels.

- Simple on-site assembly
- Space for driver and emergency pack
- Can be surface mounted or suspended with LWSK415
- Knockouts for conduit entry and emergency LED



**WHITE FINISH**

CAT NO.	SIZE
LPF66W	602mm x 602mm x 66mm
LPF612W	1202mm x 602mm x 66mm
LPF312W	1202mm x 302mm x 66mm



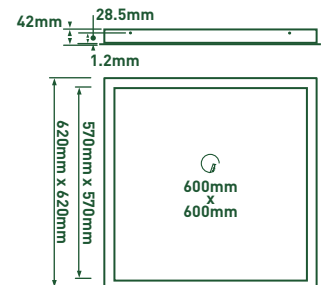
# RECESS FRAME

- For use with 600mm x 600mm LuxPanels
- Suitable for installation into plasterboard ceilings up to 15mm thick



**WHITE FINISH**

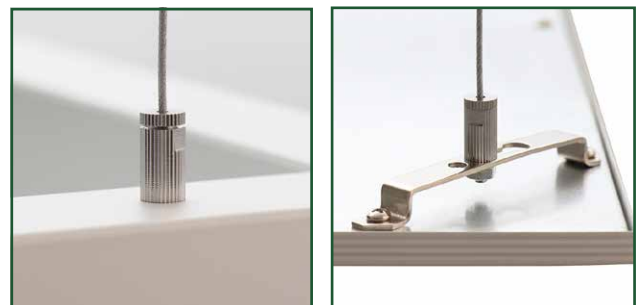
CAT NO.	SIZE
LPF66SCRF	595mm x 595mm



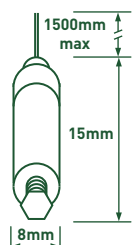
# WIRE SUSPENSION KIT

Wire suspension kit (4 part kit) (for Edgelit Framed only).

- Compatible with 600mm x 600mm, 600mm x 1200mm (non IP65) Edgelit Framed, (not Frameless or Backlit)
- Can also be used with surface mounting frames, (LPF66W, LPF312W and LPF612W)



CAT NO.	SIZE
LWSK415	Maximum suspension - 1500mm



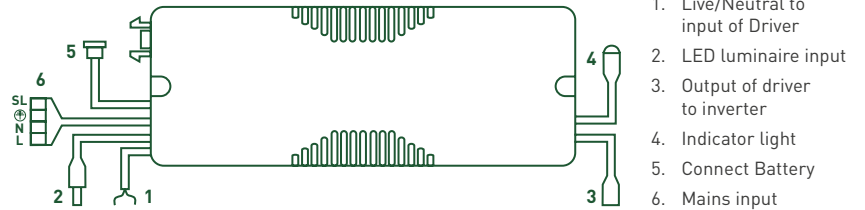
# EMERGENCY PACK

- Compatible with all LuxPanels, Platinum and Carbon downlights
- Can be retro-fitted to fixed output or dimmable drivers
- Battery pack can be replaced
- Supplied with all required connections and mini bezel for charge indicator

UNIQUE DESIGN



CAT NO.	DESCRIPTION
LED3EP80-0J	Emergency pack



Emergency LED indicator in suspended ceiling tile



Emergency LED indicator within Surface Modular

# CIRCULAR EDGELIT

Circular LuxPanel design, with a subtle white frame surround.



<b>4800K</b> NEUTRAL WHITE	<b>350</b> mA	<b>WHITE</b> FINISH
----------------------------------	------------------	------------------------

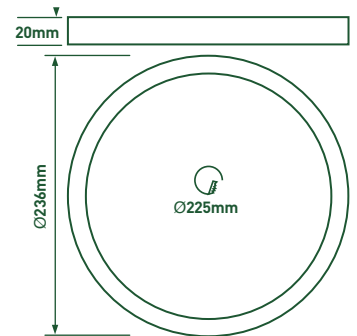


Circular Edgelit with Emergency Pack

## Ø240mm

CAT NO.	DRIVER	LUMINAIRE LUMENS	WATTAGE	EFFICACY Llm/W
LP240WS48	Standard	1440	18W	80
LP240WD48	Dimmable	1440	18W	80

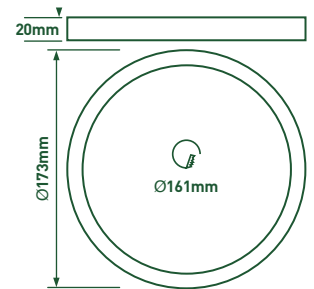
- LED3EP80-0J - Emergency pack available, see page 15



## Ø180mm

CAT NO.	DRIVER	LUMINAIRE LUMENS	WATTAGE	EFFICACY Llm/W
LP180WS48	Standard	900	12W	75
LP180WD48	Dimmable	900	12W	75

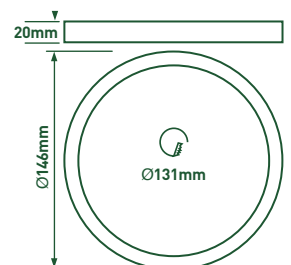
- LED3EP80-0J - Emergency pack available, see page 15



## Ø150mm

CAT NO.	DRIVER	LUMINAIRE LUMENS	WATTAGE	EFFICACY Llm/W
LP150WS48	Standard	675	9W	75
LP150WD48	Dimmable	675	9W	75

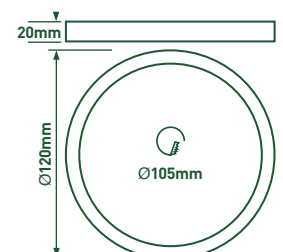
- LED3EP80-0J - Emergency pack available, see page 15



## Ø120mm

CAT NO.	DRIVER	LUMINAIRE LUMENS	WATTAGE	EFFICACY Llm/W
LP120WS48	Standard	390	6W	65
LP120WD48	Dimmable	390	6W	65

- LED3EP80-0J - Emergency pack available, see page 15





# IP65 EDGELIT FRAMED

## 600mm x 600mm

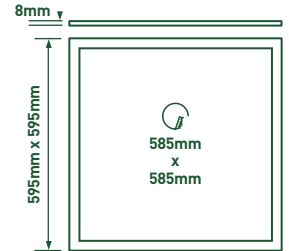
The classic LuxPanel design, with a subtle white frame surround. Rated IP65 protected against low pressure jets of water from all directions.

**4800K**  
NEUTRAL  
WHITE

**900**  
mA

**IP65**  
RATED

**WHITE**  
FINISH



CAT NO.	DRIVER	LUMINAIRE LUMENS	WATTAGE	EFFICACY Lm/W
LP66IP35S48	Standard	3500	35W	100
LP66IP35D48	Dimmable	3500	35W	100

- LED3EP80-0J - Emergency pack available, see page 15

# IP65 EDGELIT FRAMED

## 1200mm x 600mm

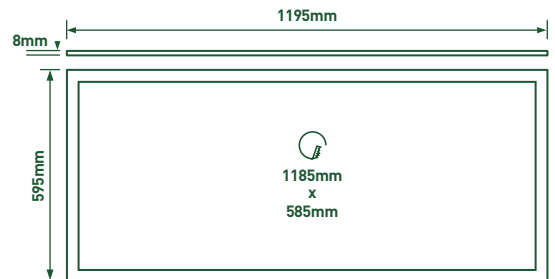
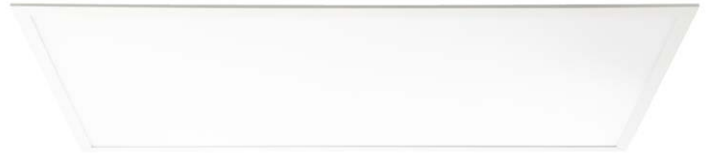
The classic LuxPanel design, with a subtle white frame surround. Rated IP65 protected against low pressure jets of water from all directions.

**4800K**  
NEUTRAL  
WHITE

**900**  
mA

**IP65**  
RATED

**WHITE**  
FINISH



CAT NO.	DRIVER	LUMINAIRE LUMENS	WATTAGE	EFFICACY Lm/W
LP612IP50S48	Standard	5000	60W	84
LP612IP50D48	Dimmable	5000	60W	84

- LED3EP80-0J - Emergency pack available, see page 15

# IP65 CIRCULAR EDGELIT

## Ø240mm

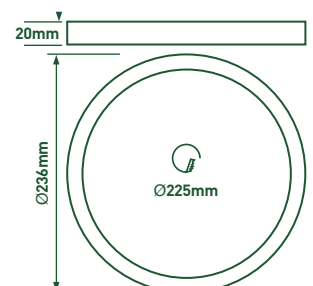
Circular LuxPanel design, with a subtle white frame surround. Rated IP65 protected against low pressure jets of water from all directions.

**4800K**  
NEUTRAL  
WHITE

**350**  
mA

**IP65**  
RATED

**WHITE**  
FINISH



CAT NO.	DRIVER	LUMINAIRE LUMENS	WATTAGE	EFFICACY Lm/W
LP1P240WS48	Standard	1350	18W	75
LP1P240WD48	Dimmable	1350	18W	75

- LED3EP80-0J - Emergency pack available, see page 15



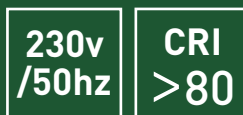
Academy

Designed to meet the technical lighting requirements of modern interiors from education and healthcare to boardroom and retail environments.

Academy	19
Decorative Surface	20
Pendant	20

## RANGE FEATURES

- Up to 50,000 hours of maintenance free operations
- Low glare, diffused output



# ACADEMY

- Ideal replacement for linear fluorescent
- Designed for surface mounting in office and educational environments
- Steel backplate with polycarbonate diffuser, secured by screwed endcaps
- Uses high quality opal prism diffuser for reduced glare
- Suitable for suspended mounting, see page 14 (LWSK415 ordered separately)



**4000K**  
NEUTRAL  
WHITE

**WHITE**  
FINISH

## OPAL PRISM

CAT NO.	DRIVER	SIZE	LUMINAIRE LUMENS	WATTAGE	EFFICACY Llm/W	CURRENT
LAC12P22S40	Standard	4ft / 1260mm	2200	22W	100	900mA
LAC12P22E40	Emergency	4ft / 1260mm	2200	22W	100	900mA
LAC12P22D40	Dimmable	4ft / 1260mm	2200	22W	100	900mA
LAC12P22ED40	Emergency Dim	4ft / 1260mm	2200	22W	100	900mA
LAC12P22S40MW	Microwave	4ft / 1260mm	2200	22W	100	900mA
LAC12P40S40	Standard	4ft / 1260mm	4000	39W	103	1050mA
LAC12P40E40	Emergency	4ft / 1260mm	4000	39W	103	1050mA
LAC12P40D40	Dimmable	4ft / 1260mm	4000	39W	103	1050mA
LAC12P40ED40	Emergency Dim	4ft / 1260mm	4000	39W	103	1050mA
LAC12P40S40MW	Microwave	4ft / 1260mm	4000	39W	103	1050mA

CAT NO.	DRIVER	SIZE	LUMINAIRE LUMENS	WATTAGE	EFFICACY Llm/W	CURRENT
LAC15P32S40	Standard	5ft / 1560mm	3200	31W	103	1050mA
LAC15P32E40	Emergency	5ft / 1560mm	3200	31W	103	1050mA
LAC15P32D40	Dimmable	5ft / 1560mm	3200	31W	103	1050mA
LAC15P32ED40	Emergency Dim	5ft / 1560mm	3200	31W	103	1050mA
LAC15P32S40MW	Microwave	5ft / 1560mm	3200	31W	103	1050mA
LAC15P60S40	Standard	5ft / 1560mm	6000	58W	103	1400mA
LAC15P60E40	Emergency	5ft / 1560mm	6000	58W	103	1400mA
LAC15P60D40	Dimmable	5ft / 1560mm	6000	58W	103	1400mA
LAC15P60ED40	Emergency Dim	5ft / 1560mm	6000	58W	103	1400mA
LAC15P60S40MW	Microwave	5ft / 1560mm	6000	58W	103	1400mA

CAT NO.	DRIVER	SIZE	LUMINAIRE LUMENS	WATTAGE	EFFICACY Llm/W	CURRENT
LAC18P45S40	Standard	6ft / 1825mm	4500	46W	98	1400mA
LAC18P45E40	Emergency	6ft / 1825mm	4500	46W	98	1400mA
LAC18P45D40	Dimmable	6ft / 1825mm	4500	46W	98	1400mA
LAC18P45ED40	Emergency Dim	6ft / 1825mm	4500	46W	98	1400mA
LAC18P45S40MW	Microwave	6ft / 1825mm	4500	46W	98	1400mA
LAC18P80S40	Standard	6ft / 1825mm	8000	85W	94	1050mA
LAC18P80E40	Emergency	6ft / 1825mm	8000	85W	94	1050mA
LAC18P80D40	Dimmable	6ft / 1825mm	8000	85W	94	1050mA
LAC18P80ED40	Emergency Dim	6ft / 1825mm	8000	85W	94	1050mA
LAC18P80S40MW	Microwave	6ft / 1825mm	8000	85W	94	1050mA

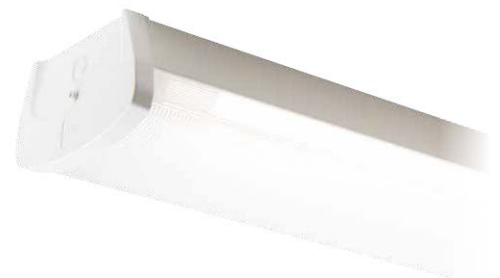
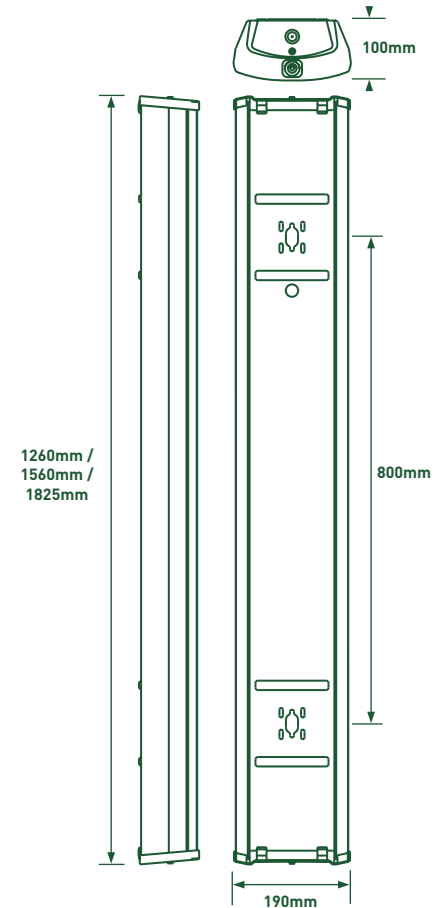
## CLEAR PRISM - T8

- Fitted with LED T8 Tubes
- Integrated driver

**4000K**  
NEUTRAL  
WHITE

**WHITE**  
FINISH

CAT NO.	DRIVER	SIZE	LUMINAIRE LUMENS	WATTAGE	EFFICACY Llm/W
LACT12P38S40	Standard	4ft / 1260mm	3800	48W	80
LACT12P38E40	Emergency	4ft / 1260mm	3800	48W	80
LACT15P51S40	Standard	5ft / 1560mm	5120	64W	80
LACT15P51E40	Emergency	5ft / 1560mm	5120	64W	80
LACT18P64S40	Standard	6ft / 1825mm	6400	80W	80
LACT18P64E40	Emergency	6ft / 1825mm	6400	80W	80



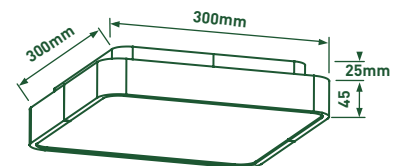


## DECORATIVE SURFACE

- Fixed position
- Optical diffuser panel
- Suitable for mounting on wall or ceiling
- Polished finish with black driver housing
- Integral fixed output driver



CAT NO.	LUMINAIRE LUMENS	WATTAGE	EFFICACY Llm/W
LKT2017	1400	20W	70

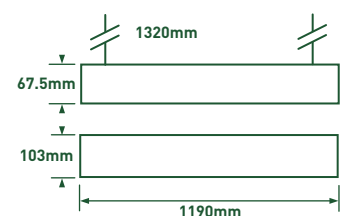


## PENDANT

- Anodised aluminium finish
- Suspension cables and transparent feed cable
- Suspension height can be adjusted without tools
- Fixed output constant current driver
- Anti-glare microprismatic surface



CAT NO.	LUMINAIRE LUMENS	WATTAGE	EFFICACY Llm/W
LKT1013CW	3100	42W	74



# PENDANT

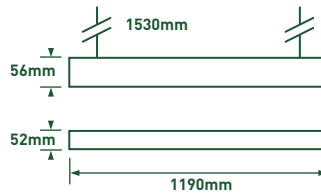
- Anodised aluminium finish
- Suspension cables and transparent feed cable
- Suspension height can be adjusted without tools
- Fixed output constant current driver
- Anti-glare microprismatic surface

**4000K**  
NEUTRAL  
WHITE

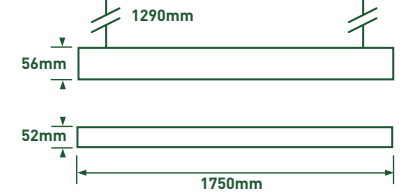
BEAM  
ANGLE  
**103°**



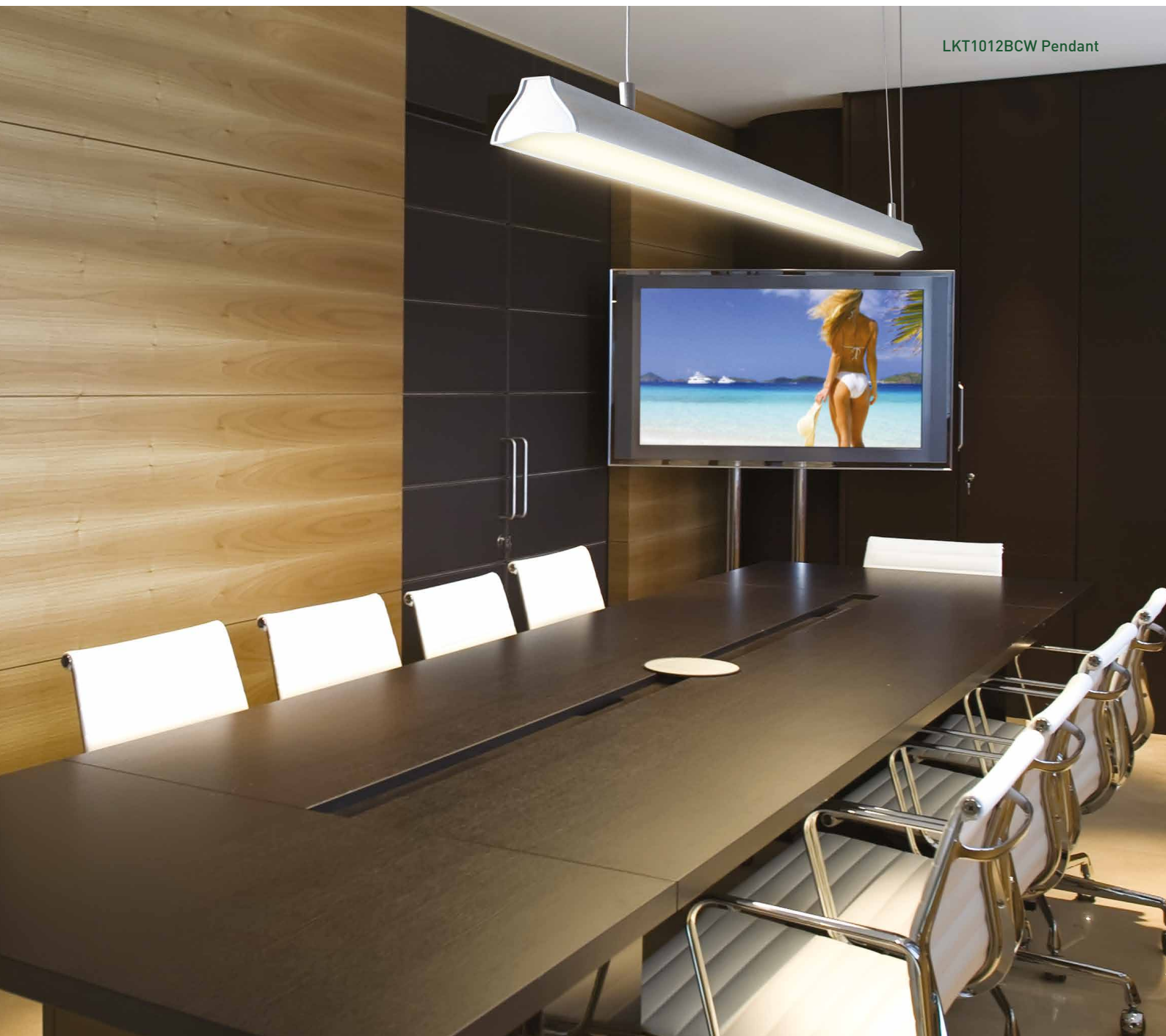
LKT1012ACW



LKT1012BCW



CAT NO.	LUMINAIRE LUMENS	WATTAGE	EFFICACY Llm/W
LKT1012ACW	1400	18.5W	76
LKT1012BCW	2000	30W	67



LKT1012BCW Pendant

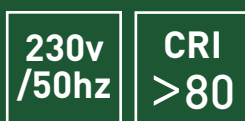
# DOWNLIGHTS

A range of luminaires designed to meet the varied requirements of commercial applications, including office and retail installations. Alternatives and retrofit replacements to Tungsten, HID and CFL luminaires. Offering savings of up to 80%.

Platinum	23
Carbon	24
Atom Fire Rated	25
Modular	26
Decorative	28

## RANGE FEATURES

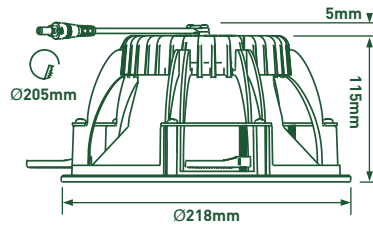
- Designed to fit common ceiling cutouts
- Ideal for use with sensors
- Standard, dimmable and emergency versions



# PLATINUM

- Ideal alternative to CFL downlights
- Suitable for 203mm - 210mm cutout, recommended 205mm
- Easy fit positive locating swing tabs
- Supplied with white bezel

**NEW RANGE**



Positive location swing tabs - easy fit and adjustment

**4000K**  
NEUTRAL  
WHITE

**50,000**  
HOURS

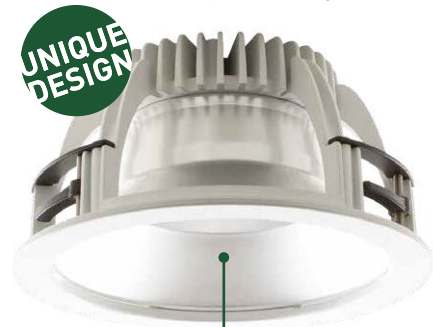
BEAM  
ANGLE  
**90°**

**WHITE**  
FINISH



**GLOSS REFLECTOR**

CAT NO.	DRIVER	LUMINAIRE LUMENS	WATTAGE	EFFICACY Llm/W	CURRENT
LDP20W32GS40	Standard	3200	33W	97	1050mA
LDP20W32GD40	Dimmable	3200	33W	97	1050mA
LDP20W22GS40	Standard	2200	22W	98	700mA
LDP20W22GD40	Dimmable	2200	22W	98	700mA
LDP20W16GS40	Standard	1600	16W	100	500mA
LDP20W16GD40	Dimmable	1600	16W	100	500mA
LDP20W12GS40	Standard	1200	12W	100	350mA
LDP20W12GD40	Dimmable	1200	12W	100	350mA



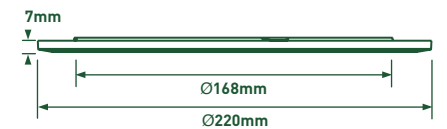
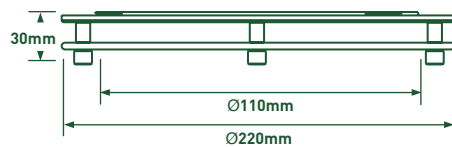
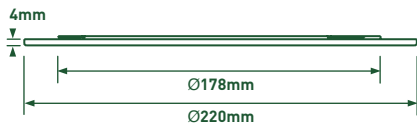
**MATT REFLECTOR**

CAT NO.	DRIVER	LUMINAIRE LUMENS	WATTAGE	EFFICACY Llm/W	CURRENT
LDP20W31MS40	Standard	3050	33W	92	1050mA
LDP20W31MD40	Dimmable	3050	33W	92	1050mA
LDP20W21MS40	Standard	2050	22W	93	700mA
LDP20W21MD40	Dimmable	2050	22W	93	700mA
LDP20W15MS40	Standard	1500	16W	94	500mA
LDP20W15MD40	Dimmable	1500	16W	94	500mA
LDP20W11MS40	Standard	1100	12W	92	350mA
LDP20W11MD40	Dimmable	1100	12W	92	350mA

• LED3EP80-0J - Emergency pack available, see page 15

## ACCESSORIES

- 10 bezel options



### ALTERNATIVE FINISHES

CAT NO.	BEZEL
LDPBPC	Polished chrome
LDPBBS	Brushed steel

### DECORATIVE GLASS BEZELS

CAT NO.	BEZEL
LDPBWHDH	White - Dropped halo
LDPBWHDF	White - Frosted glass
LDPBPCDH	Polished chrome - Dropped halo
LDPBPCDF	Polished chrome - Frosted glass
LDPBBSDH	Brushed steel - Dropped halo
LDPBBSDF	Brushed steel - Frosted glass

### IP54 BEZELS

CAT NO.	BEZEL
LDPWHIPF	White - Frosted diffuser
LDPWHIP	White - Clear diffuser

# CARBON

- Ideal replacement and designed to retrofit/match ceiling cut outs of compact fluorescent downlights
- Running cost savings of up to 60% against fluorescent installations
- Supplied with interchangeable white and silver finish inner bezel options

## SILVER BEZEL



**4200K**  
NEUTRAL  
WHITE

**35,000**  
HOURS

BEAM  
ANGLE  
**90°**

**WHITE**  
FINISH

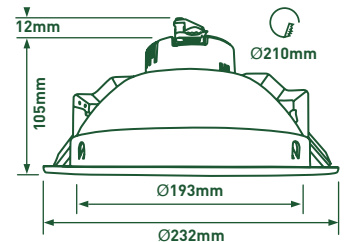


Carbon Downlight

## Ø230mm

CAT NO.	DRIVER	LUMINAIRE LUMENS	WATTAGE	EFFICACY Llm/W	CURRENT	EQUIVALENT WATTAGE
LBDL8IN	Standard	2160	18W	120	500mA	42W
LBDL8INDIM	Dimmable	2160	18W	120	500mA	42W

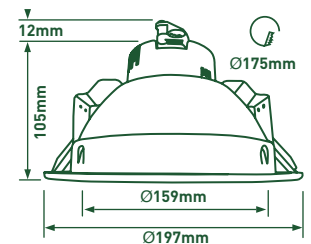
- LED3EP80-0J - Emergency pack available, see page 15



## Ø200mm

CAT NO.	DRIVER	LUMINAIRE LUMENS	WATTAGE	EFFICACY Llm/W	CURRENT	EQUIVALENT WATTAGE
LBDL6IN	Standard	1440	12W	120	500mA	26W/32W
LBDL6INDIM	Dimmable	1440	12W	120	500mA	26W/32W

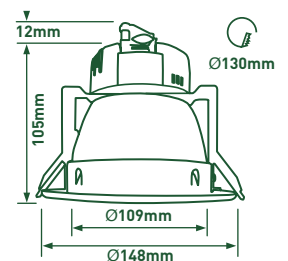
- LED3EP80-0J - Emergency pack available, see page 15



## Ø150mm

CAT NO.	DRIVER	LUMINAIRE LUMENS	WATTAGE	EFFICACY Llm/W	CURRENT	EQUIVALENT WATTAGE
LBDL4IN	Standard	720	6W	120	350mA	18W
LBDL4INDIM	Dimmable	720	6W	120	350mA	18W

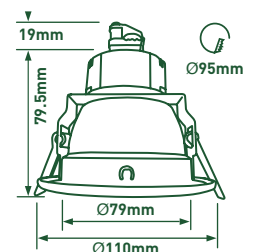
- LED3EP80-0J - Emergency pack available, see page 15



## Ø110mm

CAT NO.	DRIVER	LUMINAIRE LUMENS	WATTAGE	EFFICACY Llm/W	CURRENT	EQUIVALENT WATTAGE
LBDL3IN	Standard	480	4.5W	120	350mA	13W
LBDL3INDIM	Dimmable	480	4.5W	120	350mA	13W

- LED3EP80-0J - Emergency pack available but will not fit through ceiling cutout, see page 15





# ATOM

## FIRE RATED

- Fully tested to 30, 60 and 90mins fire resistance
- Integrated driver
- Dimmable with Leading Edge/Triac type dimmers
- True halogen appearance

<b>90min</b> FIRE RATED 	BUILDING REGULATION COMPLIANT: <b>PART</b> B, C, E & L	 <b>50,000</b> HOURS	BEAM ANGLE <b>38°</b>	<b>IP65</b> RATED 
---	--	---	-----------------------------	---

### AVAILABLE IN 3 FINISHES

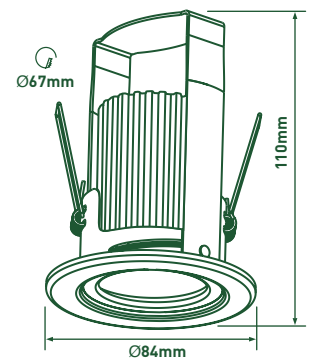


BRUSHED STEEL

POLISHED CHROME

WHITE

CAT NO.	BEZEL	LUMINAIRE LUMENS	WATTAGE	EFFICACY Llm/W	COLOUR TEMP
LFR5WH475D40	White	475	5.2W	91	4000K
LFR5PC475D40	Polished Chrome	475	5.2W	91	4000K
LFR5BS475D40	Brushed Steel	475	5.2W	91	4000K
LFR5WH450D27	White	450	5.2W	87	2700K
LFR5PC450D27	Polished Chrome	450	5.2W	87	2700K
LFR5BS450D27	Brushed Steel	450	5.2W	87	2700K



Brushed Steel Fire Rated Atom Downlight

# MODULAR RANGE

Choose different styles to suit each individual application -

## 1. PICK YOUR FRAMES

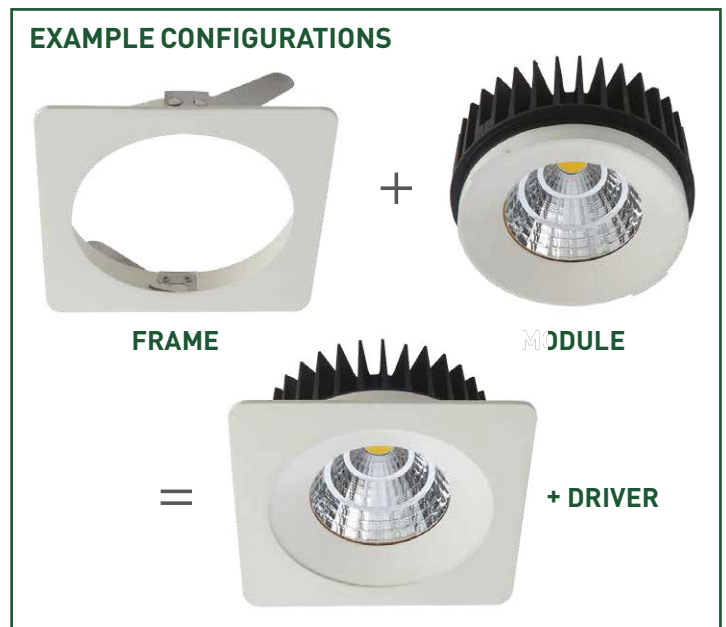
Singular or double frames are available in various shapes (circular, square or gimbal) and colours (white as standard, grey and black special order).

## 2. CHOOSE YOUR MODULES

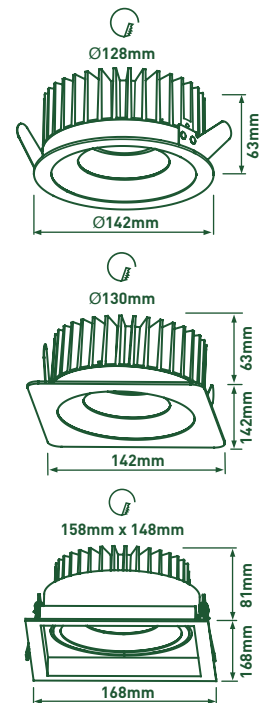
Modules are available in white or black.

## 3. CHOOSE YOUR DRIVERS

One driver per module, therefore two drivers for a double frame.

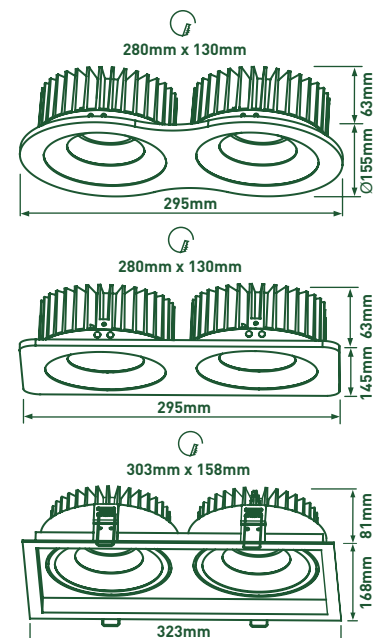


# SINGLE FRAMES



	CAT NO. WHITE	CAT NO. GREY	CAT NO. BLACK
CIRCULAR	LKTMODSRFWH	LKTMODSRFGY	LKTMODSRFBL
SQUARE	LKTMODSSFHWH	LKTMODSSFGY	LKTMODSSFBL
SQUARE GIMBAL	LKTMODSSGWH	LKTMODSSGGY	LKTMODSSGBL

# DOUBLE FRAMES



	CAT NO. WHITE	CAT NO. GREY	CAT NO. BLACK
CIRCULAR	LKTMODDRFWH	LKTMODDRFGY	LKTMODDRFBL
SQUARE	LKTMODDSFWH	LKTMODDSFGY	LKTMODDSFBL
SQUARE GIMBAL	LKTMODDSGWH	LKTMODDSGGY	LKTMODDSGBL

# MODULES

- Manufactured in aluminium
- Double insulated
- Spring clip installation
- Thermal design allows for excellent heat dissipation
- Fixed output driver = LDR20350  
Dimmable driver = LDRDIM15350



<b>4000K</b> NEUTRAL WHITE	<b>350</b> mA	<b>50,000</b> HOURS	BEAM ANGLE <b>24°</b>
----------------------------------	------------------	------------------------	-----------------------------

CAT NO.	COLOUR	LUMINAIRE LUMENS	WATTAGE	EFFICACY LtM/W
LKTMOD1WH	White	1100	15W	73
LKTMOD1BL	Black	1100	15W	73



LKTMODSSGWH and LKTMOD1BL  
Single White Square Gimbal Frame with Black Module

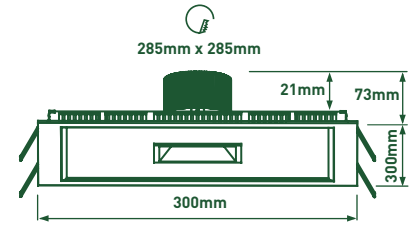
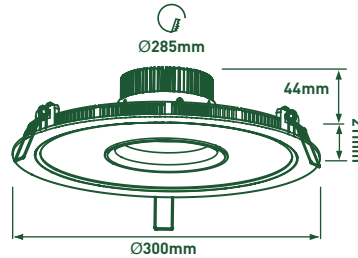


LKTMODSSGWH and LKTMOD1BL  
Double White Square Gimbal Frame with Black Module

# DUAL SWITCHED DOWNLIGHTS

## RECESSED

- Manufactured in aluminium
- Optical diffuser panel
- Fixed position
- Double insulated
- Panel and spotlight can be used together or independently
- Separate driver required for each element
- Fixed output drivers = LDR20350 (panel) and LDR20350 (spotlight)
- Dimmable drivers = LDRDIM35350 (panel) and LDRDIM15350 (spotlight)



**4000K**  
NEUTRAL  
WHITE

**350**  
mA

**50,000**  
HOURS

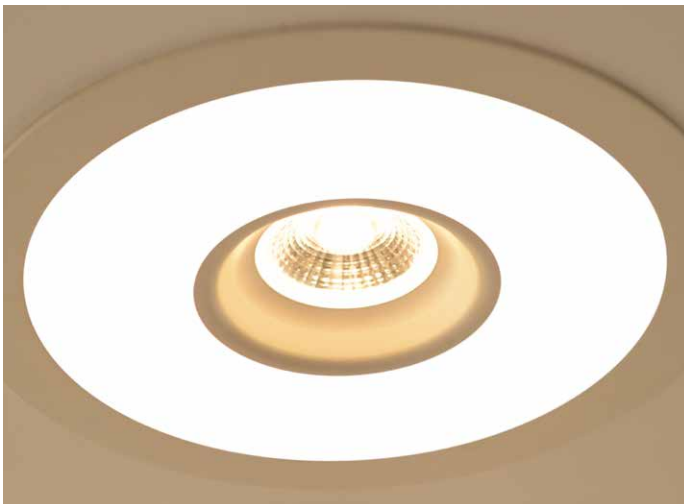
**WHITE**  
FINISH

## CIRCULAR

CAT NO.	DESCRIPTION	LUMINAIRE LUMENS	WATTAGE	EFFICACY Llm/W	BEAM ANGLE
LKT7126		2500	31.1W	80	
-	Panel	-	17.3W	-	111°
-	Spot	-	13.8W	-	37°

## SQUARE

CAT NO.	DESCRIPTION	LUMINAIRE LUMENS	WATTAGE	EFFICACY Llm/W	BEAM ANGLE
LKT7128		2100	23.5W	79	
-	Panel	-	17.3W	-	111°
-	Spot	-	6.2W	-	37°



# RECESSED DOWNLIGHT

- Manufactured in aluminium
- Leaf clip installation
- Fixed position
- Double insulated
- Fixed output driver = LDR20500  
Dimmable driver = LDRDIM15500



**4000K**  
NEUTRAL  
WHITE

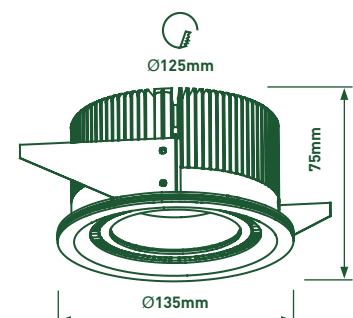
**500**  
mA

**BEAM**  
ANGLE  
**14°**

**50,000**  
HOURS

**WHITE**  
FINISH

CAT NO.	LUMINAIRE LUMENS	WATTAGE	EFFICACY Llm/W
LKT6563	910	9.5W	96

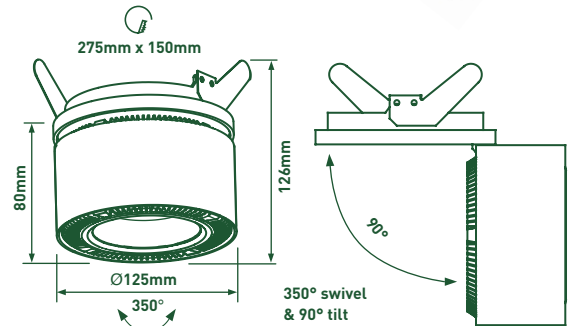


# SEMI RECESSED DOWNLIGHT

- Manufactured in aluminium
- Leaf clip installation
- Gimbal - adjustable positioning
- Double insulated
- Fixed output driver = LDR20500  
Dimmable driver = LDRDIM15500

<b>4000K</b> NEUTRAL WHITE	<b>500</b> mA	<b>50,000</b> HOURS	BEAM ANGLE <b>15°</b>	<b>WHITE</b> FINISH
----------------------------------	------------------	------------------------	-----------------------------	------------------------

CAT NO.	LUMINAIRE LUMENS	WATTAGE	EFFICACY Lm/W
LKT6566	1280	14.3W	90



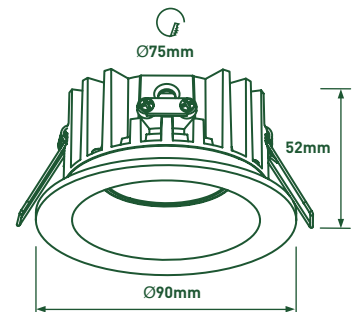
# IP RATED DOWNLIGHT

## RECESSED

- An ideal alternative to low voltage halogen 35W lamp or mains voltage halogen 50W lamp
- Manufactured in aluminium
- Fixed position
- Double insulated
- Fixed output driver = LDR10350  
Dimmable = LDRDIM15350

<b>4000K</b> NEUTRAL WHITE	<b>350</b> mA	<b>50,000</b> HOURS	BEAM ANGLE <b>30°</b>	<b>IP65</b> RATED	<b>WHITE</b> FINISH
----------------------------------	------------------	------------------------	-----------------------------	----------------------	------------------------

CAT NO.	LUMINAIRE LUMENS	WATTAGE	EFFICACY Lm/W
LKT6594A	720	6.2W	116



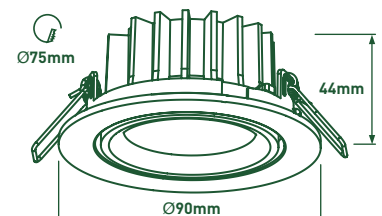
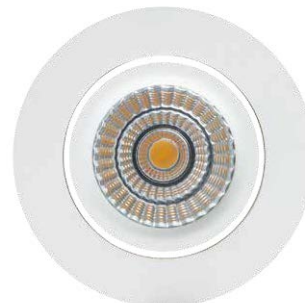
# IP RATED DOWNLIGHT

## RECESSED

- An ideal alternative to low voltage halogen 35W lamp or mains voltage halogen 50W lamp
- Manufactured in aluminium
- Gimbal - adjustable positioning
- Double insulated
- Fixed output driver = LDR10350  
Dimmable = LDRDIM15350

<b>4000K</b> NEUTRAL WHITE	<b>350</b> mA	<b>50,000</b> HOURS	BEAM ANGLE <b>29°</b>	<b>IP44</b> RATED	<b>WHITE</b> FINISH
----------------------------------	------------------	------------------------	-----------------------------	----------------------	------------------------

CAT NO.	LUMINAIRE LUMENS	WATTAGE	EFFICACY Lm/W
LKT6595	720	6.2W	116



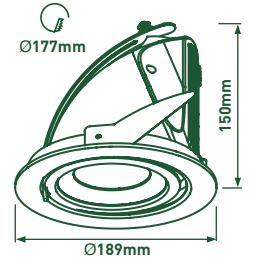
# WALLWASHER

## RECESSED

- Gimbal - adjustable positioning
- Adjustable 60° in single direction and 359° rotatable
- Manufactured in aluminium
- Double insulated
- Fixed output driver = LDR10350  
Dimmable driver = LDRDIM15500

<b>4000K</b> NEUTRAL WHITE	<b>350</b> mA	<b>50,000</b> HOURS	BEAM ANGLE <b>21°</b>	<b>WHITE</b> FINISH
----------------------------------	------------------	------------------------	-----------------------------	------------------------

CAT NO.	LUMINAIRE LUMENS	WATTAGE	EFFICACY Lm/W
LKT206	630	9.7W	65



LKT206  
Recessed Wallwasher

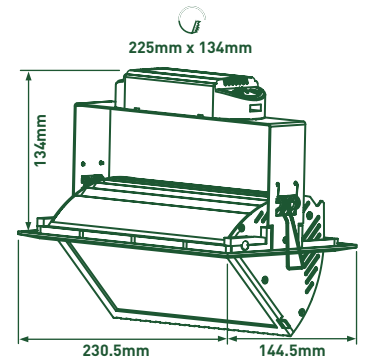
# WALLWASHER

## RECESSED

- Tilt-able positioning
- Spring clip installation
- Thermal design allows for excellent heat dissipation
- Manufactured in aluminium
- Double insulated
- Fixed output driver = LDR42900  
Dimmable driver = LDRDIM35900



<b>4000K</b> NEUTRAL WHITE	<b>350</b> mA	<b>30,000</b> HOURS	<b>BEAM</b> ANGLE <b>68°</b>	<b>WHITE</b> FINISH
----------------------------------	------------------	------------------------	------------------------------------	------------------------



CAT NO.	LUMINAIRE LUMENS	WATTAGE	EFFICACY Llm/W
LKT103	2500	29.4W	85

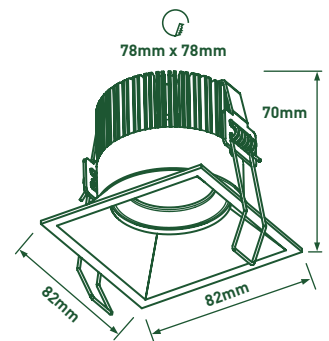
# LOW GLARE DOWNLIGHT

## RECESSED

- Manufactured in aluminium
- Fixed position
- Double insulated
- Slim trim bezel for clean contemporary appearance and LED light source is mounted deep in the housing to limit glare
- Fixed output driver = LDR10350  
Dimmable = LDRDIM15350



<b>4000K</b> NEUTRAL WHITE	<b>350</b> mA	<b>50,000</b> HOURS	<b>BEAM</b> ANGLE <b>30°</b>	<b>WHITE</b> FINISH
----------------------------------	------------------	------------------------	------------------------------------	------------------------



CAT NO.	LUMINAIRE LUMENS	WATTAGE	EFFICACY Llm/W
LKT6564	720	6.2W	116

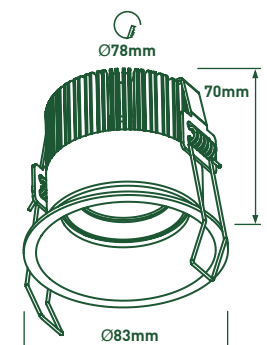
# LOW GLARE DOWNLIGHT

## RECESSED

- Manufactured in aluminium
- Fixed position
- Double insulated
- Slim trim bezel for clean contemporary appearance and LED light source is mounted deep in the housing to limit glare
- Fixed output driver = LDR10350  
Dimmable = LDRDIM15350



<b>4000K</b> NEUTRAL WHITE	<b>350</b> mA	<b>50,000</b> HOURS	<b>BEAM</b> ANGLE <b>30°</b>	<b>WHITE</b> FINISH
----------------------------------	------------------	------------------------	------------------------------------	------------------------



CAT NO.	LUMINAIRE LUMENS	WATTAGE	EFFICACY Llm/W
LKT6565	720	6.2W	116



# AMBIENT

LKT8554 Track Spot

Energy efficient designs for circulation areas and accent lighting applications. Multiple mounting options and models - including microwave presence detecting and emergency lighting.

Atlas Bulkhead	33
Mosi Bulkhead	34
Taska Under Cabinet	35
Wall Mounted Accent	36
Surface Spots	38
Track	39

## RANGE FEATURES

- Suitable for corridors, stairwells and circulation areas
- IP65 products can also be used for exterior use
- Task lighting

<b>230v</b> <b>/50hz</b>	<b>CRI</b> <b>&gt;80</b>
-----------------------------	-----------------------------



# ATLAS BULKHEAD

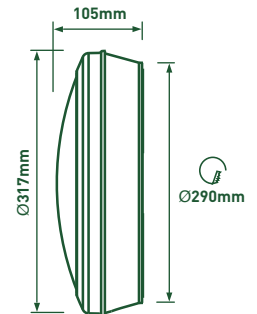
- Alternative to 28 watt and 38 watt TC-DD (2D) compact fluorescent
- Multiple mounting options include ceiling surface, ceiling semi-recessed, wall mounted and provision for BESA and four side conduit entries
- Double insulated
- Microwave presence detector switches the output to 10% in "corridor function" standby mode or 0%, selectable during installation
- Microwave version includes photocell for dusk-till-dawn switching option
- Integral driver
- Order the accessories separately or in addition to the bulkhead



CAT NO.	DRIVER	LUMINAIRE LUMENS	WATTAGE	EFFICACY Lm/W
LBH154K	Standard	1250	17W	75
LBH154K3M	3hr Emergency	1250	19W	66
LBH154KMW	Microwave sensor	1250	18W	69
LBH154KMW3M	Microwave and emergency	1250	20W	64
LBH214K	Standard	2100	24W	88
LBH214K3M	3hr Emergency	2100	25W	84
LBH214KMW	Microwave sensor	2100	26W	81
LBH214KMW3M	Microwave and emergency	2100	27W	78

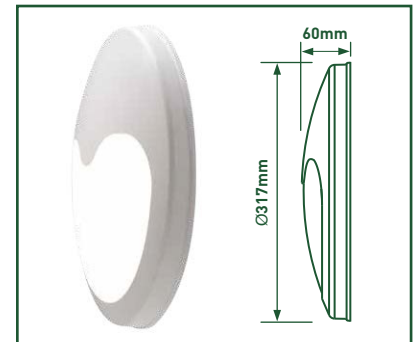
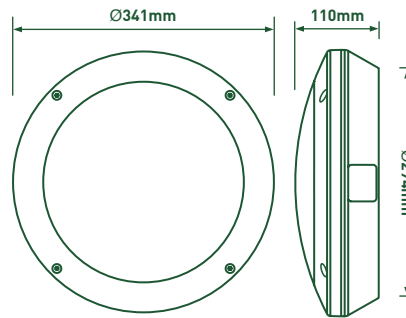


Ceiling semi-recessed



## ACCESSORIES

- For use with Atlas bulkhead (order bulkhead separately)
- Comes with front and back covers and tamper proof screws, a high security screw kit is also available including special tool - LBHATK
- All die-cast aluminium accessories are finished in RAL7026 'Granite Grey'
- Front covers can be rotated every 90°
- Access to rear BESA and four side entry points



LBH154APE - Plastic Eyelid Cover



LBH154AME - Metal Eyelid



LBH154AMG - Metal Grille



LBH154AMP - Metal Standard



LBH154AMS - Metal Split Eyelid

# MOSI BULKHEAD

- Polycarbonate construction
- Opal diffuser
- Black and white base options
- 4 side and 1 rear conduit entry points

4000K  
NEUTRAL  
WHITE

30,000  
HOURS

IP65  
RATED

IK08

NEW  
RANGE



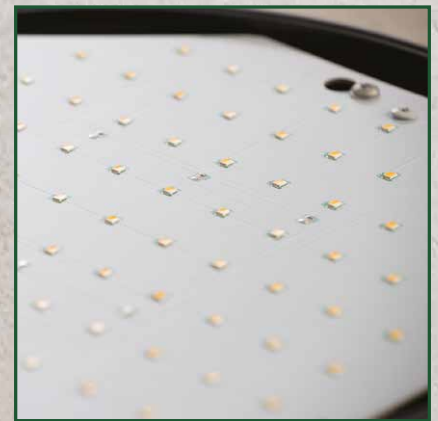
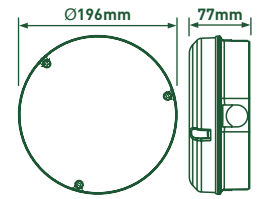
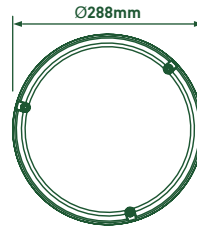
Ø290mm

UNIQUE  
DESIGN



Ø200mm

CAT NO.	DRIVER	SIZE	COLOUR	LUMINAIRE LUMENS	WATTAGE	EFFICACY Lm/W
LBM290B11S40	Standard	Ø290mm	Black	1100	14W	78
LBM290B11E40	Emergency	Ø290mm	Black	1100	16W	69
LBM290W11S40	Standard	Ø290mm	White	1100	14W	78
LBM290W11E40	Emergency	Ø290mm	White	1100	16W	69
LBM200B6S40	Standard	Ø200mm	Black	650	9W	81
LBM200W6S40	Standard	Ø200mm	White	650	9W	81



**No Hotspots - even light distribution**

LBM290B11S40  
Ø290mm Standard Mosi Bulkhead

# TASKA

## UNDER CABINET

- No LED 'spots' reflected in work tops
- Warm and neutral white options to suit traditional and contemporary kitchens
- Connectors to allow linking
- 50W remote driver (4100mA) = LUCLDR50  
24W plug in driver (2000mA) = LUCLDP24



### 300mm

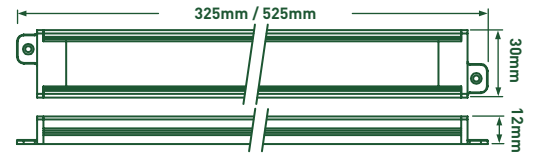
CAT NO.	LUMINAIRE LUMENS	WATTAGE	EFFICACY Llm/W	COLOUR TEMP
LUCL300CW	290	5W	58	4000K
LUCL300WW	250	5W	50	2700K

### 500mm

CAT NO.	LUMINAIRE LUMENS	WATTAGE	EFFICACY Llm/W	COLOUR TEMP
LUCL500CW	620	9W	69	4000K
LUCL500WW	520	9W	58	2700K

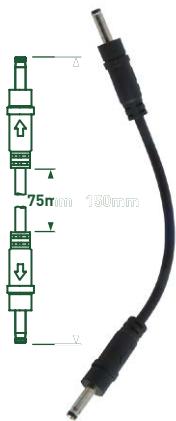


50W Driver

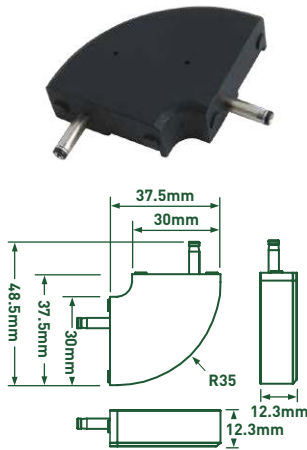


## ACCESSORIES

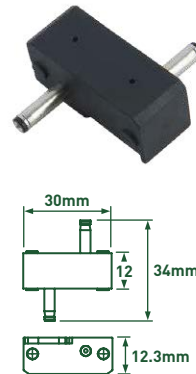
**LUCLACCL**  
Connecting Lead



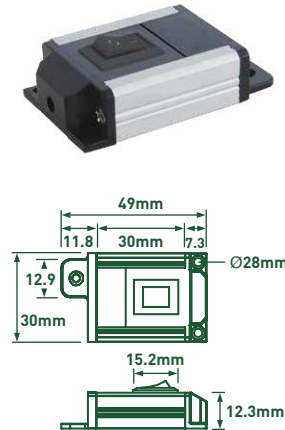
**LUCLAC90**  
Corner Connector



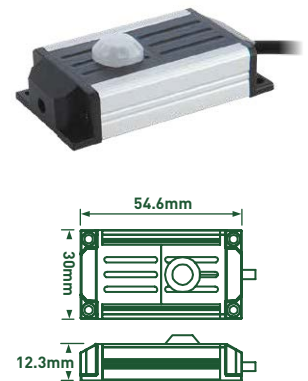
**LUCLACSC**  
Straight Connector



**LUCLACSW**  
Switch



**LUCLACPIR**  
PIR Switch



## LINKING OPERATION

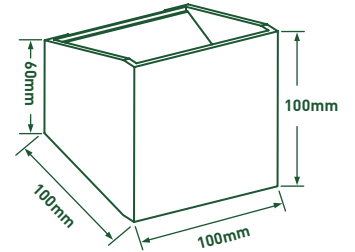


# WALL LIGHT

- All wall lights can be used vertically or horizontally to give different lighting effects
- High efficiency, energy saving & low glare
- Fixed output integrated driver

<b>3000K</b> WARM WHITE	<b>25,000</b> HOURS	BEAM ANGLE <b>147°</b>	<b>WHITE</b> FINISH
-------------------------------	------------------------	------------------------------	------------------------

CAT NO.	LUMINAIRE LUMENS	WATTAGE	EFFICACY Llm/W
LKT391A	200	4W	50

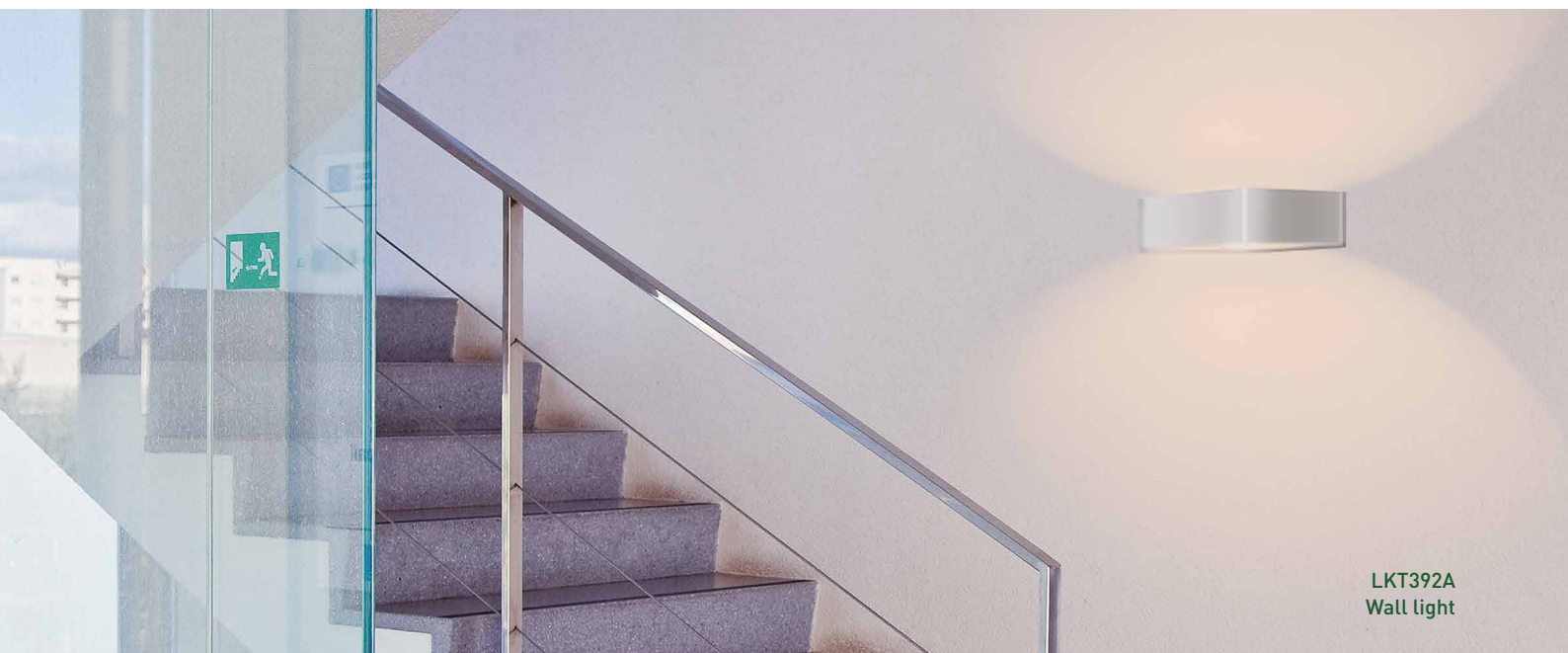
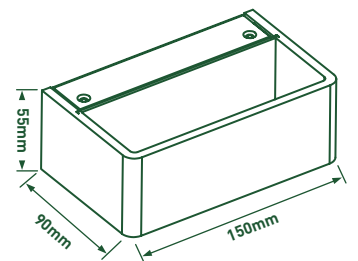


# WALL LIGHT

- All wall lights can be used vertically or horizontally to give different lighting effects
- High efficiency, energy saving & low glare
- Fixed output integrated driver

<b>3000K</b> WARM WHITE	<b>25,000</b> HOURS	BEAM ANGLE <b>153°</b>	<b>WHITE</b> FINISH
-------------------------------	------------------------	------------------------------	------------------------

CAT NO.	LUMINAIRE LUMENS	WATTAGE	EFFICACY Llm/W
LKT392A	290	10W	29



LKT392A  
Wall light

# WALL LIGHT

- All wall lights can be used vertically or horizontally to give different lighting effects
- High efficiency, energy saving & low glare
- Fixed output integrated driver

<b>3000K WARM WHITE</b>	<b>25,000 HOURS</b>	<b>BEAM ANGLE 150°</b>	<b>WHITE FINISH</b>
-------------------------	---------------------	------------------------	---------------------

CAT NO.	LUMINAIRE LUMENS	WATTAGE	EFFICACY Llm/W
LKT393A	255	8.3W	31

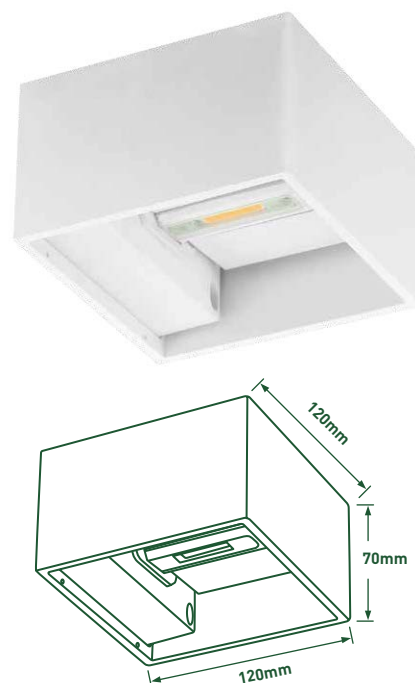
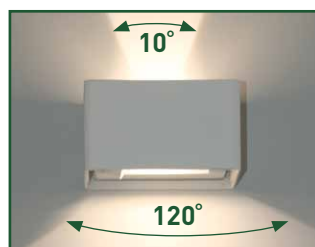


# WALL LIGHT

- All wall lights can be used vertically or horizontally to give different lighting effects
- High efficiency, energy saving & low glare
- Adjustable beam angle from 10°-120°
- Fixed output integrated driver

<b>3000K WARM WHITE</b>	<b>25,000 HOURS</b>	<b>WHITE FINISH</b>
-------------------------	---------------------	---------------------

CAT NO.	LUMINAIRE LUMENS	WATTAGE	EFFICACY Llm/W
LKT536A	165	8W	21



# WALL LIGHTS

- All wall lights can be used vertically or horizontally to give different lighting effects
- High efficiency, energy saving & low glare
- Fixed output integrated driver

<b>3000K WARM WHITE</b>	<b>25,000 HOURS</b>	<b>BEAM ANGLE 113°</b>	<b>WHITE FINISH</b>
-------------------------	---------------------	------------------------	---------------------

CAT NO.	SIZE	LUMINAIRE LUMENS	WATTAGE	EFFICACY Llm/W
LKT396A	600mm	540	20W	27
LKT396	300mm	415	10W	42



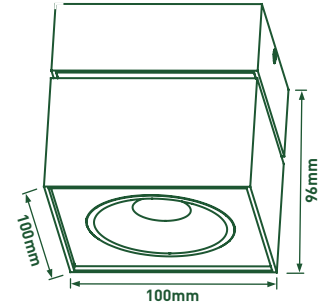
# ADJUSTABLE DOWNLIGHT

## SURFACE MOUNTED

- Manufactured in aluminium
- Gimbal - adjustable positioning
- Allows tilt of up to 85°
- Optimised thermal design allows for excellent heat dissipation
- Integral fixed output driver

<b>4000K</b> NEUTRAL WHITE	<b>30,000</b> HOURS	BEAM ANGLE <b>37°</b>	<b>WHITE</b> FINISH
----------------------------------	------------------------	-----------------------------	------------------------

CAT NO.	LUMINAIRE LUMENS	WATTAGE	EFFICACY Llm/W
LKT2021B	1100	14W	79



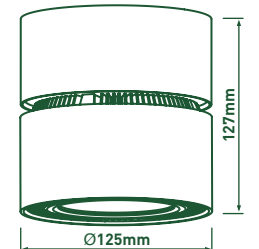
# ADJUSTABLE DOWNLIGHT

## SURFACE MOUNTED

- Manufactured in aluminium
- Gimbal - adjustable positioning
- Allows a tilt of 90° and a 350° swivel
- Optimised thermal design allows for excellent heat dissipation
- Integral fixed output driver

<b>4000K</b> NEUTRAL WHITE	<b>30,000</b> HOURS	BEAM ANGLE <b>17°</b>	<b>WHITE</b> FINISH
----------------------------------	------------------------	-----------------------------	------------------------

CAT NO.	LUMINAIRE LUMENS	WATTAGE	EFFICACY Llm/W
LKT2022	2100	24.2W	87



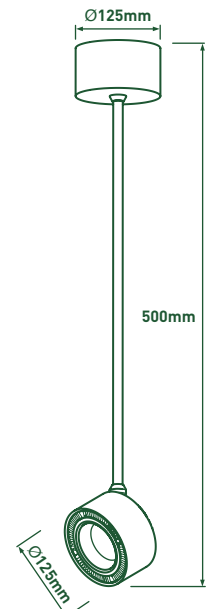
# DROP ROD DOWNLIGHT

## SURFACE MOUNTED

- Gimbal - adjustable positioning
- Allows a tilt of 90° and a 350° swivel
- Manufactured in aluminium
- Optimised thermal design allows for excellent heat dissipation
- Integral fixed output driver

<b>4000K</b> NEUTRAL WHITE	<b>30,000</b> HOURS	BEAM ANGLE <b>17°</b>	<b>WHITE</b> FINISH
----------------------------------	------------------------	-----------------------------	------------------------

CAT NO.	LUMINAIRE LUMENS	WATTAGE	EFFICACY Llm/W
LKT2022-L50	2100	24.2W	87



# DROP ROD DOWNLIGHT

## SURFACE MOUNTED

- Gimbal - adjustable positioning
- Allows a tilt of 90° and a 350° swivel
- Manufactured in aluminium
- Optimised thermal design allows for excellent heat dissipation
- Integral fixed output driver



<b>4000K</b> NEUTRAL WHITE	<b>30,000</b> HOURS	BEAM ANGLE <b>14°</b>	<b>WHITE</b> FINISH
----------------------------------	------------------------	-----------------------------	------------------------

CAT NO.	LUMINAIRE LUMENS	WATTAGE	EFFICACY Llm/W
LKT2023	1310	17.3W	76

# TRACK SPOT

- Spotlight for 3 circuit lighting track
- Track not included
- Allows a tilt of 90° and a 350° swivel
- Integral fixed output driver
- Highly efficient
- Generate less heat, UV & IR free compared to traditional track lights
- Universal track adaptor for use on popular 3 circuit mains track systems

<b>4000K</b> NEUTRAL WHITE	<b>30,000</b> HOURS	BEAM ANGLE <b>14°</b>	<b>WHITE</b> FINISH
----------------------------------	------------------------	-----------------------------	------------------------

CAT NO.	LUMINAIRE LUMENS	WATTAGE	EFFICACY Llm/W
LKT8562	990	16.1W	61



# TRACK SPOT

- Spotlight for 3 circuit lighting track
- Track not included
- Allows a tilt of 90° and a 350° swivel
- Integral fixed output driver
- Highly efficient
- Generate less heat, UV & IR free compared to traditional track lights
- Universal track adaptor for use on popular 3 circuit mains track systems

<b>4000K</b> NEUTRAL WHITE	<b>30,000</b> HOURS	BEAM ANGLE <b>18°</b>	<b>WHITE</b> FINISH
----------------------------------	------------------------	-----------------------------	------------------------

CAT NO.	LUMINAIRE LUMENS	WATTAGE	EFFICACY Llm/W
LKT8554	2100	24.2W	87





# INDUSTRIAL

Climate Single LED Array

Robust luminaires perfect for the demands of the industrial environment. LED alternatives to traditional HID high bay and fluorescent.

Climate	41
LuxPack Batten	43
Indus	43
Titan High Bay	44
Ceres	45

## RANGE FEATURES

- Standard, dimmable and emergency versions available
- Up to 50,000 hours maintenance free operations
- Impact resistance

230v /50hz	CRI >80
---------------	------------



# CLIMATE

- Complete with LED array, ideal replacement for linear fluorescent
- Designed for surface mount application in industrial and commercial environments
- Polycarbonate body and diffuser with stainless steel anti-tamper clips
- Mounting bracket, gland kit and screws included for installation
- Integral fixed output driver
- For batten mount PIR presence detectors see page 81 (LPC3BSP65/LPC3BDP65)
- Supplied with 4000K LEDs as standard, other colour temperatures are available subject to minimum order



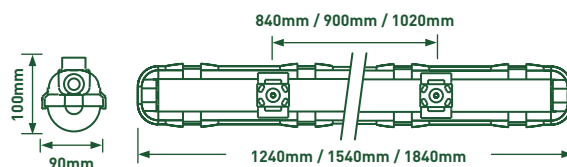
## SINGLE LED ARRAY

CAT NO.	DRIVER	SIZE	LUMINAIRE LUMENS	WATTAGE	EFFICACY Llm/W
LCL12W22S40	Standard	4ft / 1240mm	2200	25W	88
LCL15W34S40	Standard	5ft / 1540mm	3400	37W	92
LCL15W34E40	Emergency	5ft / 1540mm	3400	37W	92
LCL18W44S40	Standard	6ft / 1840mm	4400	49W	90
LCL18W44E40	Emergency	6ft / 1840mm	4400	49W	90



## SINGLE LED ARRAY WITH DALI DRIVER

CAT NO.	DRIVER	SIZE	LUMINAIRE LUMENS	WATTAGE	EFFICACY Llm/W
LCL12W22D40	DALI	4ft / 1240mm	2200	25W	88
LCL15W34D40	DALI	5ft / 1540mm	3400	37W	92
LCL15W34ED40	Emergency	5ft / 1540mm	3400	37W	92
LCL18W44D40	DALI	6ft / 1840mm	4400	49W	90
LCL18W44ED40	Emergency	6ft / 1840mm	4400	49W	90



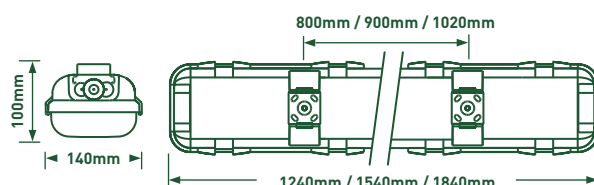
## TWIN LED ARRAY

CAT NO.	DRIVER	SIZE	LUMINAIRE LUMENS	WATTAGE	EFFICACY Llm/W
LCL12W44S40	Standard	4ft / 1240mm	4400	47W	94
LCL15W66S40	Standard	5ft / 1540mm	6600	69W	96
LCL15W66E40	Emergency	5ft / 1540mm	6600	69W	96
LCL18W87S40	Standard	6ft / 1840mm	8700	97W	90
LCL18W87E40	Emergency	6ft / 1840mm	8700	97W	90



## TWIN LED ARRAY WITH DALI DRIVER

CAT NO.	DRIVER	SIZE	LUMINAIRE LUMENS	WATTAGE	EFFICACY Llm/W
LCL12W44D40	DALI	4ft / 1240mm	4400	47W	94
LCL15W66D40	DALI	5ft / 1540mm	6600	69W	96
LCL15W66ED40	Emergency	5ft / 1540mm	6600	69W	96
LCL18W87D40	DALI	6ft / 1840mm	8700	97W	90
LCL18W87ED40	Emergency	6ft / 1840mm	8700	97W	90





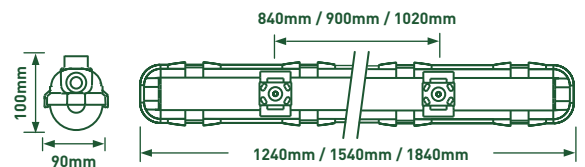
## CLIMATE T8

- Fitted with LED tubes, ideal replacement for linear fluorescent
- Designed for surface mount applications in industrial environments
- Polycarbonate body and diffuser
- Mounting bracket, gland kit and screws included for installation
- For batten mount PIR presence detector see page 81 (LPC3BSP65)
- Integral fixed output driver



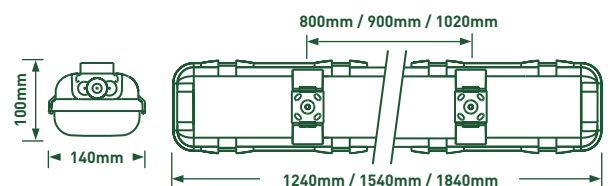
### SINGLE LED TUBES

CAT NO.	DRIVER	SIZE	LUMINAIRE LUMENS	WATTAGE	EFFICACY LLM/W
LCLT12W21S40	Standard	4ft / 1240mm	2160	24W	90
LCLT12W21E40	Emergency	4ft / 1240mm	2160	24W	90
LCLT15W28S40	Standard	5ft / 1540mm	2880	32W	90
LCLT15W28E40	Emergency	5ft / 1540mm	2880	32W	90
LCLT18W35S40	Standard	6ft / 1840mm	3580	40W	90
LCLT18W35E40	Emergency	6ft / 1840mm	3580	40W	90



### TWIN LED TUBES

CAT NO.	DRIVER	SIZE	LUMINAIRE LUMENS	WATTAGE	EFFICACY LLM/W
LCLT12W43S40	Standard	4ft / 1240mm	4320	48W	90
LCLT12W43E40	Emergency	4ft / 1240mm	4320	48W	90
LCLT15W57S40	Standard	5ft / 1540mm	5760	64W	90
LCLT15W57E40	Emergency	5ft / 1540mm	5760	64W	90
LCLT18W71S40	Standard	6ft / 1840mm	7160	80W	90
LCLT18W71E40	Emergency	6ft / 1840mm	7160	80W	90



# LUXPACK

## BATTEN

- Surface mounted with Luceco driver
- Available in standard or high output for 4ft, 5ft and 6ft lengths
- Suitable for use with batten mount sensors
- For batten mount PIR presence detectors see page 81 (LPC3BSP65/ LPC3BDP65)



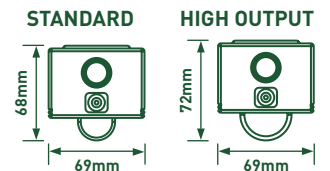
4000K  
NEUTRAL  
WHITE

30,000  
HOURS

NEW  
RANGE

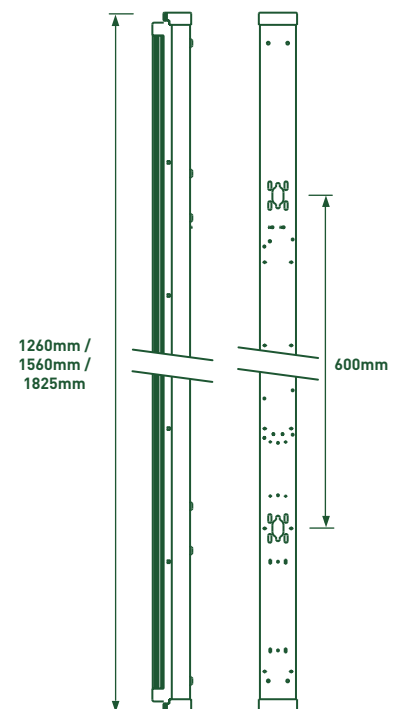
### WIDE OPAL LENS

CAT NO.	DRIVER	SIZE	LUMINAIRE LUMENS	WATTAGE	EFFICACY Llm/W	CURRENT
LXB12W25L40	Standard	4ft / 1200mm	2500	24W	104	800mA
LXB12W25EL40	Emergency	4ft / 1200mm	2500	24W	104	800mA
LXB12W48L40	High output	4ft / 1200mm	4800	46W	104	1500mA
LXB12W48EL40	Emergency	4ft / 1200mm	4800	46W	104	1500mA
LXB15W38L40	Standard	5ft / 1500mm	3800	35W	108	1000mA
LXB15W38EL40	Emergency	5ft / 1500mm	3800	35W	108	1000mA
LXB15W72L40	High output	5ft / 1500mm	7200	71W	101	1000mA
LXB15W72EL40	Emergency	5ft / 1500mm	7200	71W	101	1000mA
LXB18W48L40	Standard	6ft / 1800mm	4800	46W	104	1500mA
LXB18W48EL40	Emergency	6ft / 1800mm	4800	46W	104	1500mA
LXB18W92L40	High output	6ft / 1800mm	9200	94W	96	1500mA
LXB18W92EL40	Emergency	6ft / 1800mm	9200	94W	96	1500mA



### NARROW CLEAR LENS

CAT NO.	DRIVER	SIZE	LUMINAIRE LUMENS	WATTAGE	EFFICACY Llm/W	CURRENT
LXB12R28L40	Standard	4ft / 1200mm	2800	24W	116	800mA
LXB12R28EL40	Emergency	4ft / 1200mm	2800	24W	116	800mA
LXB12R53L40	High output	4ft / 1200mm	5300	46W	115	1500mA
LXB12R53EL40	Emergency	4ft / 1200mm	5300	46W	115	1500mA
LXB15R42L40	Standard	5ft / 1500mm	4200	35W	120	1000mA
LXB15R42EL40	Emergency	5ft / 1500mm	4200	35W	120	1000mA
LXB15R79L40	High output	5ft / 1500mm	7900	71W	111	1000mA
LXB15R79EL40	Emergency	5ft / 1500mm	7900	71W	111	1000mA
LXB18R53L40	Standard	6ft / 1800mm	5300	46W	115	1500mA
LXB18R53EL40	Emergency	6ft / 1800mm	5300	46W	115	1500mA
LXB18R98L40	High output	6ft / 1800mm	9800	94W	104	1500mA
LXB18R98EL40	Emergency	6ft / 1800mm	9800	94W	104	1500mA



# INDUS

## LINKABLE HIGH OUTPUT LINEAR

- Supplied with mounting brackets and wiring connectors
- Mounting brackets suitable for surface, trunking or suspension mounting
- Linkable with accessories
- 1200mm inter connecting lead = LHOL3CL120  
Butt connector = LHOL3CC



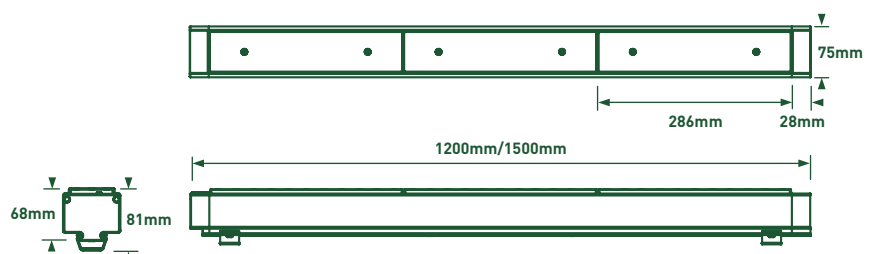
4000K  
NEUTRAL  
WHITE

50,000  
HOURS

BEAM  
ANGLE  
**60°**

NEW  
RANGE

CAT NO.	SIZE	LUMINAIRE LUMENS	WATTAGE	EFFICACY Llm/W
LHOL95S40	1200mm	9500	100W	95
LHOL115S40	1500mm	11500	120W	95





LHB120W and LHRFL120  
Titan High Bay

## TITAN HIGH BAY

### BODY

- 120W and 200W LED offering >93lm/W
- Alternative to HID High bay luminaires of 250W-400W
- Recommended for mounting heights of 6m to 12m
- Instant light output and re-strike unlike most HID
- No exposed glass so ideal for food storage areas
- Pre-wired with 1.5m of H05RN-F rubber cable
- Reflector/refractor not included
- Fixed output integrated driver

<b>4000K</b> NEUTRAL WHITE	<b>50,000</b> HOURS	<b>IP65</b> RATED	<b>BLACK</b> FINISH
----------------------------------	------------------------	----------------------	------------------------

CAT NO.	LUMINAIRE LUMENS	WATTAGE	EFFICACY Llm/W
LHB120W	11,190	120W	93
LHB200W	19,350	200W	96



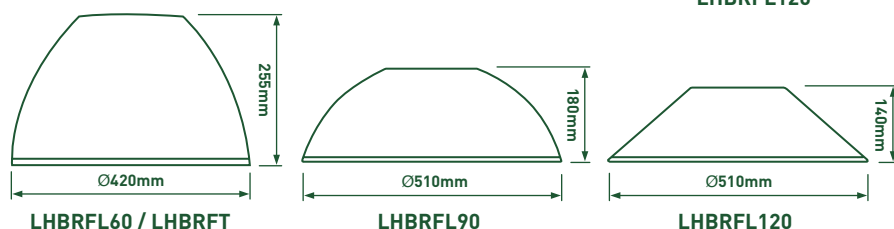
## TITAN HIGH BAY

### REFLECTOR / REFRACTOR

- 60°, 90° or 120° beam angle reflector/refractor to be ordered separately



CAT NO.	DESCRIPTION	BEAM ANGLE
LHRFL60	Aluminium reflector	60°
LHRFL90	Aluminium reflector	90°
LHRFL120	Aluminium reflector	120°
LHRFT	Polycarbonate refractor	60°





# CERES

## HIGH BAY

- Suspension, surface or wall mountable with multi-directional bracket
- Slim profile for use in areas with height restrictions
- Supplied with 60°, 90° or 120° lens
- Alternative to HID high bay luminaires of 250W-400W
- Supplied with 1.5m of H05RN-F cable
- Instant light output and re-strike unlike most HID
- Supplied with hanging hook, and surface mounting bracket
- Sensor options available



**4000K**  
NEUTRAL  
WHITE

**50,000**  
HOURS

**IP65**  
RATED

**BLACK**  
FINISH

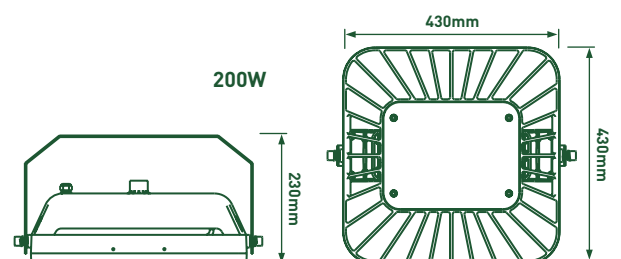
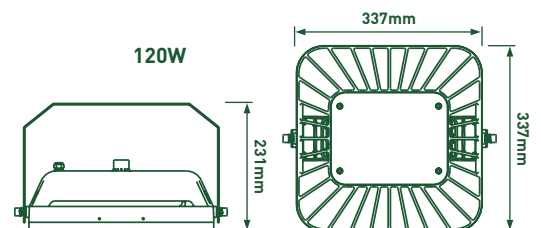
**NEW**  
RANGE

CAT NO.	LENS	LUMINAIRE LUMENS	WATTAGE	EFFICACY Llm/W
LHBS110S60	60°	12000	110W	110
LHBS110S90	90°	12000	110W	110
LHBS110S120	120°	12000	110W	110
LHBS200S60	60°	22000	195W	110
LHBS200S90	90°	22000	195W	110
LHBS200S120	120°	22000	195W	110

## WITH ON/OFF PRESENCE SENSOR

- Product is supplied with PIR presence detector - LPCMHPIRM65 (see page 80 for more details)

CAT NO.	LENS	LUMINAIRE LUMENS	WATTAGE	EFFICACY Llm/W
LHBSP110S60	60°	12000	110W	110
LHBSP110S90	90°	12000	110W	110
LHBSP110S120	120°	12000	110W	110
LHBSP200S60	60°	22000	195W	110
LHBSP200S90	90°	22000	195W	110
LHBSP200S120	120°	22000	195W	110





# EMERGENCY

Low energy emergency lighting products, perfect for retrofit replacement of fluorescent fittings. LED emergency lighting includes exit signs, bulkheads, downlights and twin spots.

Emergency

47

## RANGE FEATURES

- Self test and DALI versions available



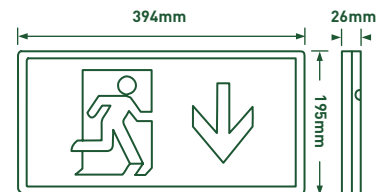
# EXIT BOX

## 3HR MAINTAINED

- Materials: Polycarbonate body and opal panel with legend
- 3.6V 2Ah Ni-MH batteries
- Complete with white LED
- High brightness
- DC or AC/DC operated
- Viewing distance = 32m
- Can be also used as non-maintained
- Easy installation with replaceable exit panel
- Latest ISO 7010 format legend
- Fixed output integrated driver



CAT NO.	DESCRIPTION	LUMINAIRE LUMENS	WATTAGE
LEMEXM3	Standard with arrow DOWN legend	45	1.3W
LEMEXUA	Arrow UP legend (order with LEMEXM3)	-	-
LEMEXLA	Arrow LEFT legend (order with LEMEXM3)	-	-
LEMEXRA	Arrow RIGHT legend (order with LEMEXM3)	-	-



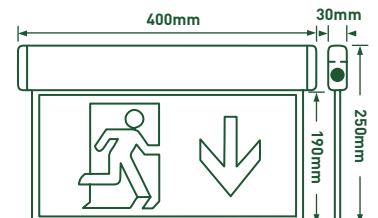
# DECORATIVE EXIT

## 3HR MAINTAINED

- Materials: Aluminium alloy body, double sided edge lit acrylic blade with legends
- 3.6V 600mh Ni-Cd batteries
- Complete with white LED
- AC/DC operated
- Latest ISO 7010 format legend
- Viewing distance = 32m
- Fixed output integrated driver
- Double sided legend
- Supplied with chain
- Cable length - 280mm max



CAT NO.	LUMINAIRE LUMENS	WATTAGE
LEMDEM3	50	3W



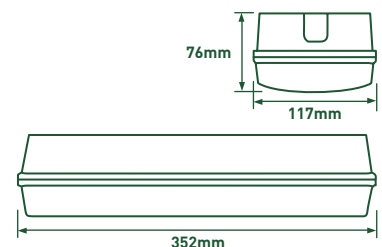
# IP65 BULKHEAD

## 3HR MAINTAINED WITH SELF ADHESIVE LEGEND

- Materials: Polycarbonate body and diffuser
- 2.4V 4.5Ah Ni-Cd batteries
- Complete with white LED
- DC or AC/DC operated
- Latest ISO 7010 format legend
- Viewing distance = 24m
- Can also be used as non-maintained
- Fixed output integrated driver



CAT NO.	LUMINAIRE LUMENS	WATTAGE
LEMBHM3	102	3.8W



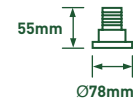
# DOWNLIGHT

## 3HR NON-MAINTAINED

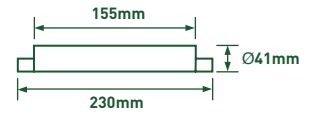
- AC/DC, AC or DC
- Built-in battery: 3.6V 4.5Ah Ni-Cd
- Downlight is illuminated green in normal use, white in emergency mode
- Fixed output integrated driver



LAMP HEAD



PCB HOUSING



BATTERY HOUSING

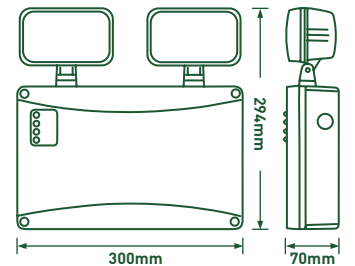


CAT NO.	LUMINAIRE LUMENS	WATTAGE
LEM5DLNM3	180	5W

# IP65 TWIN-SPOT

## 3HR NON-MAINTAINED

- Materials: Polycarbonate adjustable heads
- 3.6V 6Ah Ni-Cd battery
- Complete with white LED
- AC operated
- All plastic construction, ideal for food areas
- Fixed output integrated driver

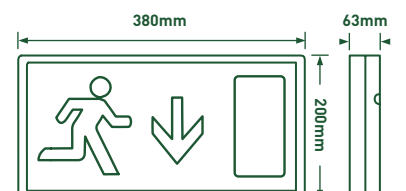


CAT NO.	LUMINAIRE LUMENS	WATTAGE
LEMIPTWNM3	420	5W

# EXIT BOX

## 3HR MAINTAINED

- Materials: Steel body and opal PVC diffuser
- Ni-Cd batteries
- Viewing distance = 36m
- 24 hours initial battery charge
- Can be used as non-maintained



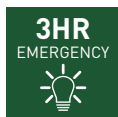
CAT NO.	DESCRIPTION	LUMINAIRE LUMENS	WATTAGE
LEMEXM3LG	3hr Emergency	240	6W
LEMEXM3LST	Self test emergency	240	8W
LEMEXM3LDA	DALI emergency	240	6W



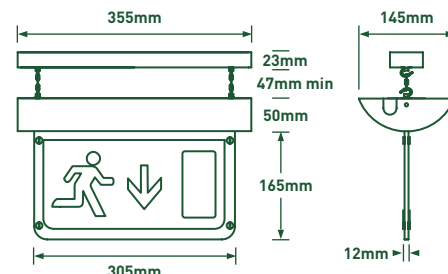
# HANGING BLADE

## 3HR MAINTAINED

- Materials: Steel body and acrylic diffuser
- Ni-Cd batteries
- Viewing distance = 27m
- 24 hours initial battery charge
- Can be used as non-maintained



CAT NO.	DESCRIPTION	LUMINAIRE LUMENS	WATTAGE
LEMDEMELG	3hr Emergency	100	4W
LEMDEMEST	Self test emergency	100	8W
LEMDEMEDA	DALI emergency	100	6W



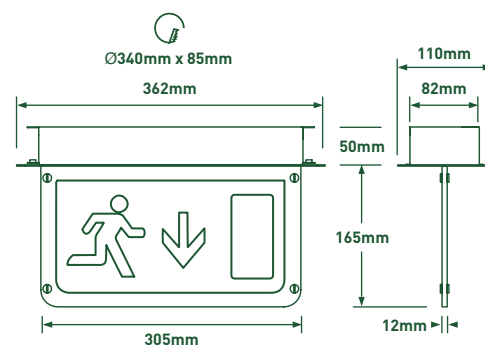
# RECESSED BLADE

## 3HR MAINTAINED

- Materials: Steel body and acrylic diffuser
- Ni-Cd batteries
- Viewing distance = 27m
- 24 hours initial battery charge
- Can be used as non-maintained



CAT NO.	DESCRIPTION	LUMINAIRE LUMENS	WATTAGE
LEMREMELG	3hr Emergency	80	4W
LEMREMEST	Self test emergency	80	8W
LEMREMEDA	DALI emergency	80	6W



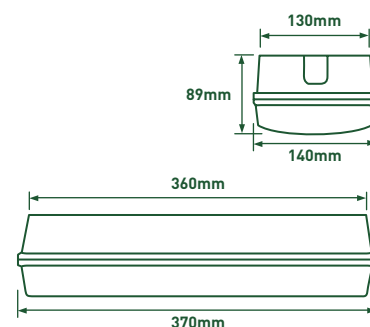
# IP65 BULKHEAD

## 3HR MAINTAINED

- Materials: Polycarbonate body and diffuser
- Ni-Cd batteries
- Viewing distance = 24m
- 24 hours initial battery charge
- Can be used as non-maintained



CAT NO.	DESCRIPTION	LUMINAIRE LUMENS	WATTAGE
LEMBHM3LG	3hr Emergency	100	4W
LEMBHM3ST	Self test emergency	100	8W
LEMBHM3DA	DALI emergency	100	6W



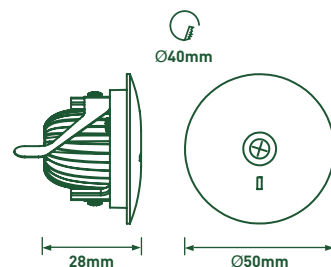
# DOWNLIGHT

## EMERGENCY

- Materials: Makrolon® body and polycarbonate diffuser
- Ni-Cd batteries
- 24 hours initial battery charge



CAT NO.	DESCRIPTION	LUMINAIRE LUMENS	WATTAGE
LEM6DLM3LG	3hr Maintained emergency	149	6W
LEM8DLM3ST	3hr Maintained self test emergency	149	8W
LEM6DLM3DA	3hr Maintained DALI emergency	149	6W
LEM2DLNM3LG	3hr Non-maintained emergency	150	2W



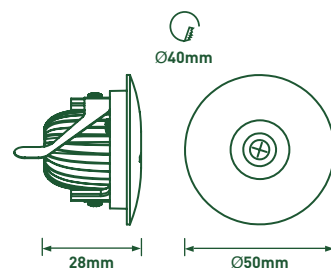
# REMOTE DOWNLIGHT

## WITH WIDE AREA DISTRIBUTION

- Materials: Makrolon® body and polycarbonate diffuser
- Ni-Cd batteries
- 24 hours initial battery charge



CAT NO.	DESCRIPTION	LUMINAIRE LUMENS	WATTAGE
LEM6DLM3WA	3hr Maintained emergency	160	6W
LEM8DLM3WS	3hr Maintained self test emergency	160	8W
LEM6DLM3WD	3hr Maintained DALI emergency	160	6W
LEM2DLNM3WA	3hr Non-maintained emergency	150	2W



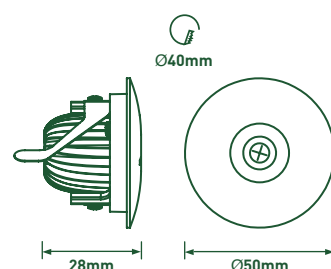
# REMOTE DOWNLIGHT

## WITH LINEAR AREA DISTRIBUTION

- Materials: Makrolon® body and polycarbonate diffuser
- Ni-Cd batteries
- 24 hours initial battery charge



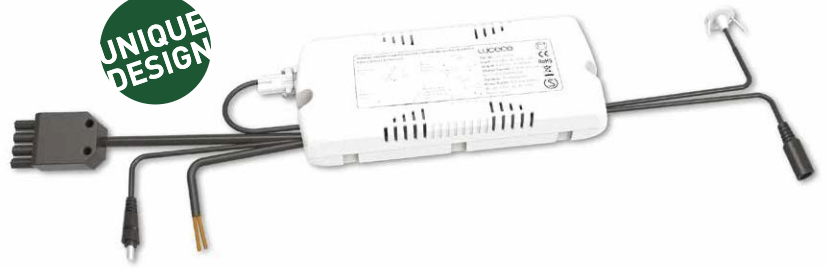
CAT NO.	DESCRIPTION	LUMINAIRE LUMENS	WATTAGE
LEM6DLM3CA	3hr Maintained emergency	160	6W
LEM8DLM3CS	3hr Maintained self test emergency	160	8W
LEM6DLM3CD	3hr Maintained DALI emergency	160	6W
LEM2DLNM3CA	3hr Non-maintained emergency	150	2W



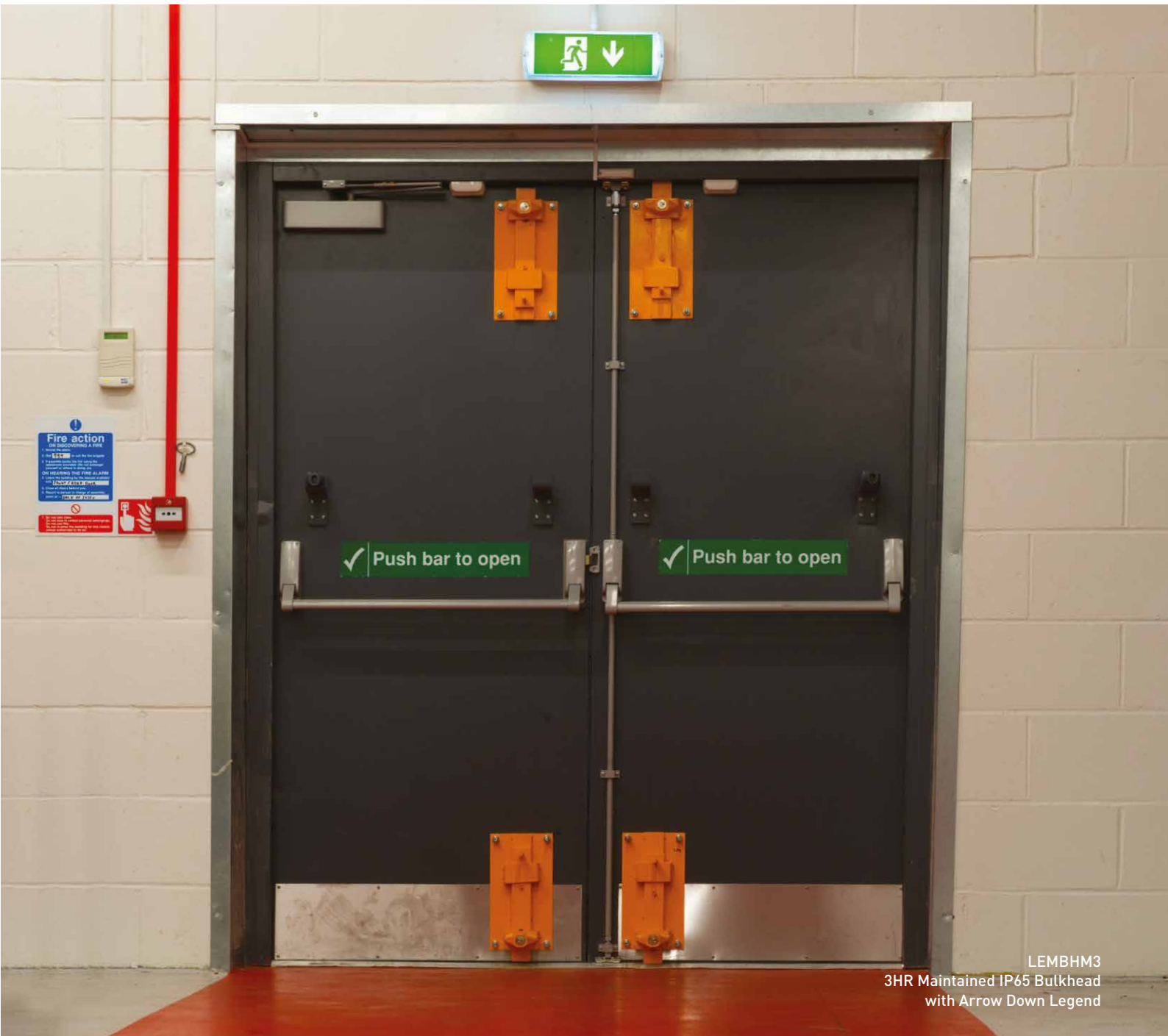
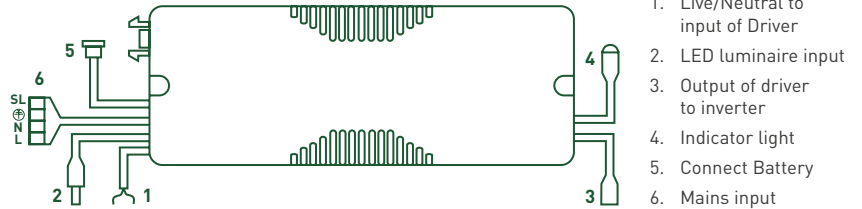
# EMERGENCY PACK

- Compatible with all LuxPanels, Platinum and Carbon downlights
- Can be retro-fitted to fixed output or dimmable drivers
- Battery pack can be replaced
- Supplied with all required connections and mini bezel for charge indicator

UNIQUE DESIGN



CAT NO.	DESCRIPTION
LED3EP80-OJ	Emergency pack



LEMBHM3  
3HR Maintained IP65 Bulkhead  
with Arrow Down Legend



# EXTERIOR LIGHTING

LWP21L42  
Wall Pack

LED exterior lighting from residential to roadway, car park to business park. Multiple mounting options and models - including presence detecting.

Atlas Bulkhead	53
Wall Pack	53
Commercial Floodlights	54
Slimline Floodlights	56
Slimline Work Lights	58
Decorative Exterior	62

## RANGE FEATURES

- Up to 50,000 hours long life maintenance free
- Instant light, high CRI, ideal for security lighting
- Up to IP65 - No ingress of dust, protected against low pressure jets of water from all directions

<b>230v /50hz</b>	<b>CRI &gt;80</b>
-----------------------	-----------------------

# ATLAS BULKHEAD

- Alternative to 28 watt and 38 watt TC-DD (2D) compact fluorescent
- Multiple mounting options include ceiling surface, ceiling semi-recessed, wall mounted and provision for BESA and four side conduit entries
- Double insulated
- Integral driver
- Microwave presence detector switches the output to 10% in "corridor function" standby mode or 0%, selectable during installation
- Microwave version includes photocell for dusk-till-dawn switching option
- Order the accessories separately or in addition to the bulkhead



**UNIQUE DESIGN**

CAT NO.	DRIVER	LUMINAIRE LUMENS	WATTAGE	EFFICACY Llm/W
LBH154K	Standard	1250	17W	75
LBH154K3M	3hr Emergency	1250	19W	66
LBH154KMW	Microwave sensor	1250	18W	69
LBH154KMW3M	Microwave & emergency	1250	20W	64
LBH214K	Standard	2100	24W	88
LBH214K3M	3hr Emergency	2100	25W	84
LBH214KMW	Microwave sensor	2100	26W	81
LBH214KMW3M	Microwave & emergency	2100	27W	78

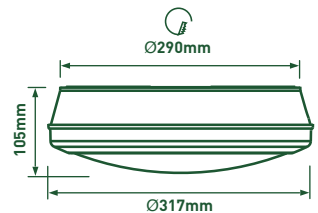
**4000K**  
NEUTRAL  
WHITE

**50,000**  
HOURS

**WHITE**  
FINISH

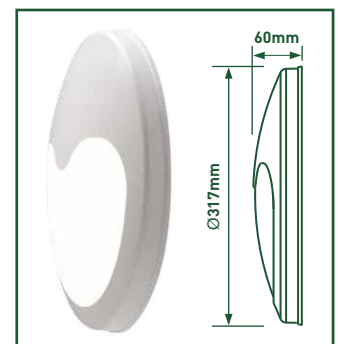
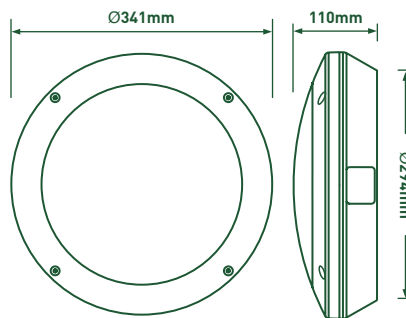
**IP65**  
RATED

**IK08**



## ACCESSORIES

- For use with Atlas bulkhead (order bulkhead separately)
- Comes with front and back covers and tamper proof screws, a high security screw kit is also available including special tool - LBHATK
- All die-cast aluminium accessories are finished in RAL7026 "Granite Grey"
- Front covers can be rotated every 90°
- Access to rear BESA and four side entry points



**LBH154APE** - Plastic Eyelid Cover



**LBH154AME** - Metal Eyelid



**LBH154AMG** - Metal Grille



**LBH154AMP** - Metal Standard



**LBH154AMS** - Metal Split Eyelid

## WALL PACK

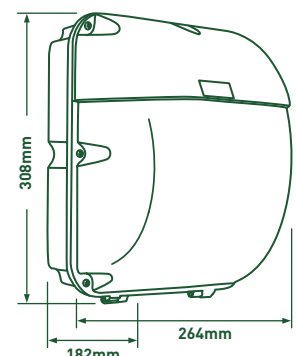
- LED alternative to HID, ideal for security lighting
- RAL7026 finish
- Supplied pre-wired with H05RN-F rubber insulated cable
- Integral LED array and driver

**4200K**  
NEUTRAL  
WHITE

**25,000**  
HOURS

**IP65**  
RATED

CAT NO.	LUMINAIRE LUMENS	WATTAGE	EFFICACY Llm/W
LWP21L42	1240	32.5W	38



# COMMERCIAL FLOODLIGHTS

- Maintenance free
- Durable powder coated aluminium coating (RAL7026)
- Alternative to HID floodlights up to 400W
- 2m of H05RN-F rubber cable
- Fixed output integrated driver

<b>4200K</b> NEUTRAL WHITE	<b>50,000</b> HOURS	<b>BEAM</b> ANGLE <b>120°</b>	<b>IP65</b> RATED
----------------------------------	------------------------	-------------------------------------	----------------------

## LCFL EQUIVALENT WATTAGES TO HID

LCFL	MBF	HQI/SON	SUGGEST MOUNT HT
LCFL25	50	35	3.0-4.0m
LCFL60	80/125	70	3.5-5.0m
LCFL110	250	150	4.5-6.0m
LCFL180	400	250	5.0-8.0m

**NOTE** - All figures are suggestions and it is recommended to have a full lighting design prepared to validate

## 1780Lm (25W)

CAT NO.	LUMINAIRE LUMENS	WATTAGE	EFFICACY Lm/W
LCFL25W	1780	25W	72

## 3600Lm (60W)

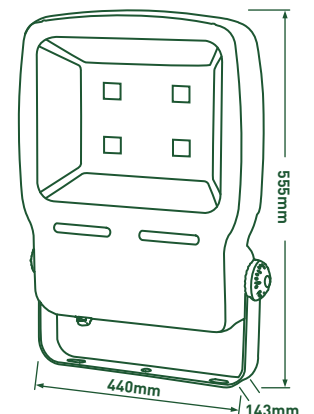
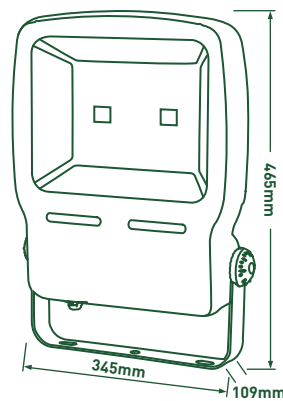
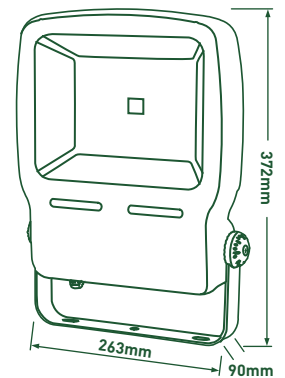
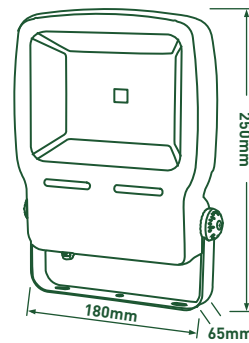
CAT NO.	LUMINAIRE LUMENS	WATTAGE	EFFICACY Lm/W
LCFL60W	3600	60W	60

## 9300Lm (110W)

CAT NO.	LUMINAIRE LUMENS	WATTAGE	EFFICACY Lm/W
LCFL110W	9300	110W	85

## 16500Lm (180W)

CAT NO.	LUMINAIRE LUMENS	WATTAGE	EFFICACY Lm/W
LCFL180W	16500	180W	92





# SLIMLINE GUARDIAN FLOODLIGHTS

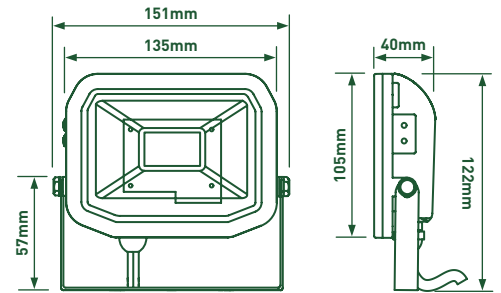
- 90% energy saving over halogen
- Maintenance free
- Pre-wired 1m of H05RN-F rubber cable
- Instant 100% light output
- 10W/20W/30W are driverless for increased reliability



POWER FACTOR <b>&gt;0.9</b>	30,000 HOURS	BEAM ANGLE <b>95°</b>	IP65 RATED
--------------------------------	--------------	--------------------------	------------

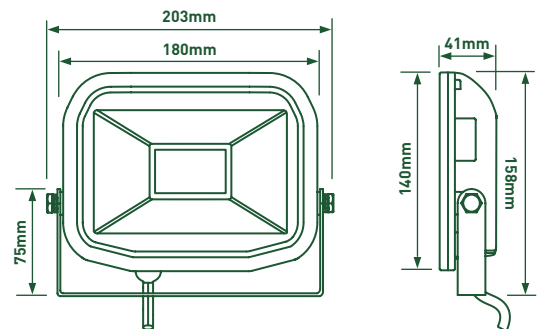
## 600Lm (10W)

CAT NO.	LUMINAIRE LUMENS	WATTAGE	EFFICACY Llm/W	COLOUR TEMP.	EQUIVALENT WATTAGE
LFS10W1B30	600	10W	60	3000K	100W
LFS10W1B50	600	10W	60	5000K	100W



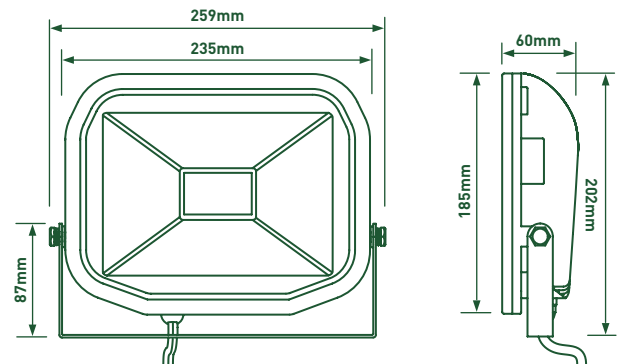
## 1200Lm (20W)

CAT NO.	LUMINAIRE LUMENS	WATTAGE	EFFICACY Llm/W	COLOUR TEMP.	EQUIVALENT WATTAGE
LFS20W1B30	1200	20W	60	3000K	200W
LFS20W1B50	1200	20W	60	5000K	200W



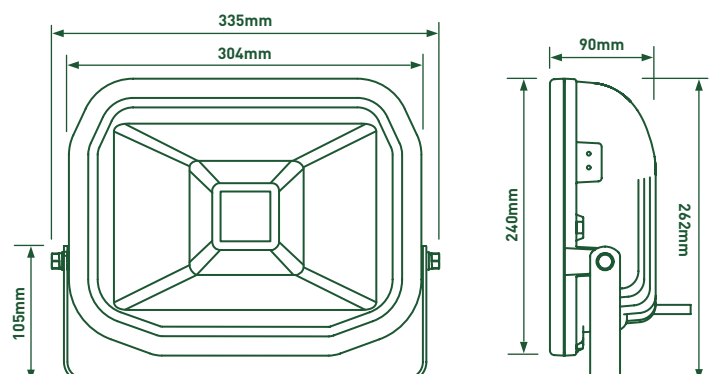
## 1800Lm (30W)

CAT NO.	LUMINAIRE LUMENS	WATTAGE	EFFICACY Llm/W	COLOUR TEMP.	EQUIVALENT WATTAGE
LFS30W1B30	1800	30W	60	3000K	300W
LFS30W1B50	1800	30W	60	5000K	300W



## 3000Lm (50W)

CAT NO.	LUMINAIRE LUMENS	WATTAGE	EFFICACY Llm/W	COLOUR TEMP.	EQUIVALENT WATTAGE
LFS50W1B30	3000	50W	60	3000K	500W
LFS50W1B50	3000	50W	60	5000K	500W





# SLIMLINE GUARDIAN FLOODLIGHTS WITH PIR



- 90% energy saving over halogen
- Maintenance free
- Instant 100% output
- 10m max detection range
- Adjustable time = 10 sec - 8 min
- Adjustable Lux = 2 - 2000Lux
- Override function for dusk till dawn operation
- Pre-wired 1m of H05RN-F rubber cable
- Supplied with two brackets for column or wall mounting
- 10W/20W/30W are driverless for increased reliability

30,000 HOURS

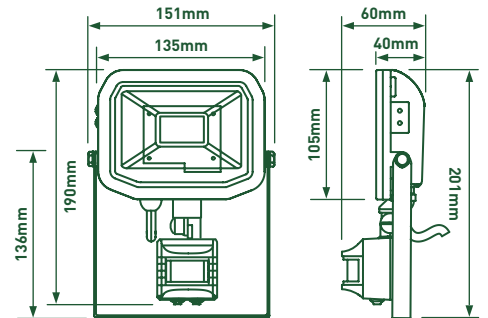
BEAM ANGLE  
95°

DETECTION ANGLE  
120°

IP44 RATED

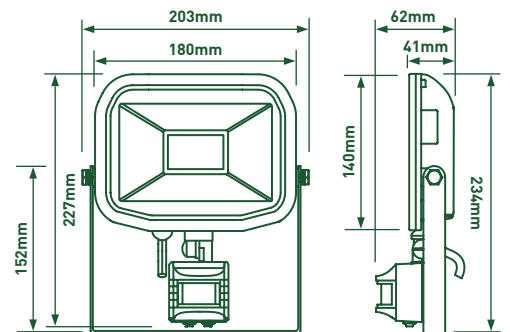
## 600Llm (10W)

CAT NO.	LUMINAIRE LUMENS	WATTAGE	EFFICACY Llm/W	COLOUR TEMP.	POWER FACTOR	EQUIVALENT WATTAGE
LFSP10W1B30	600	10W	60	3000K	>0.8	100W
LFSP10W1B50	600	10W	60	5000K	>0.8	100W



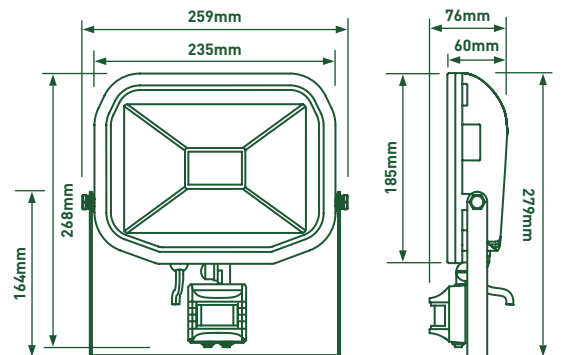
## 1200Llm (20W)

CAT NO.	LUMINAIRE LUMENS	WATTAGE	EFFICACY Llm/W	COLOUR TEMP.	POWER FACTOR	EQUIVALENT WATTAGE
LFSP20W1B30	1200	20W	60	3000K	>0.9	200W
LFSP20W1B50	1200	20W	60	5000K	>0.9	200W



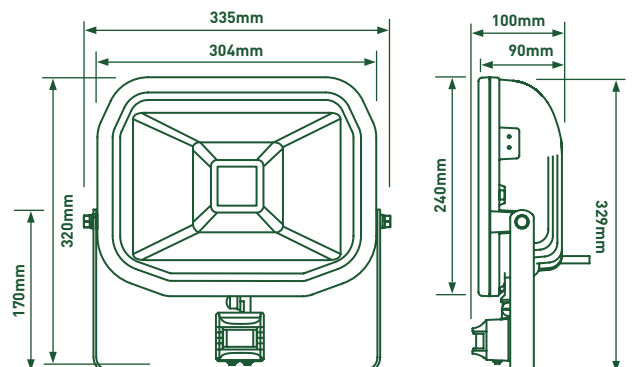
## 1800Llm (30W)

CAT NO.	LUMINAIRE LUMENS	WATTAGE	EFFICACY Llm/W	COLOUR TEMP.	POWER FACTOR	EQUIVALENT WATTAGE
LFSP30W1B30	1800	30W	60	3000K	>0.9	300W
LFSP30W1B50	1800	30W	60	5000K	>0.9	300W



## 3000Llm (50W)

CAT NO.	LUMINAIRE LUMENS	WATTAGE	EFFICACY Llm/W	COLOUR TEMP.	POWER FACTOR	EQUIVALENT WATTAGE
LFSP50W1B30	3000	50W	60	3000K	>0.9	500W
LFSP50W1B50	3000	50W	60	5000K	>0.9	500W



# SLIMLINE RECHARGEABLE WORK LIGHTS

- 400 charge cycles
- 90% energy saving over halogen
- Fixed output integrated driver
- Supplied with USB lead (USB to Micro USB) & car charger

**5000K**  
NEUTRAL  
WHITE

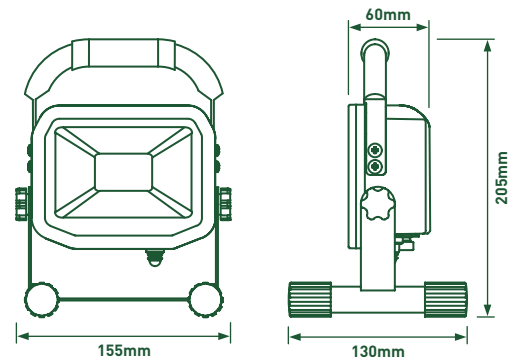
**30,000**  
HOURS

BEAM  
ANGLE  
**95°**

**IP65**  
RATED

NEW  
RANGE

CAT NO.	LUMINAIRE LUMENS	WATTAGE	EFFICACY Llm/W	EQUIVALENT WATTAGE
LSWR5BR	375	5W	75	50W
LSWR10BR	750	10W	75	100W



## PERFECT FOR USE IN...



**UNIQUE  
DESIGN**

Die-cast housing  
with tempered glass

Maintenance free

Lightweight frame  
with soft grip handle

Sturdy steel stand



**BREAKDOWN**



**GARAGE**



**GARDEN**

# SLIMLINE PORTABLE WORK LIGHTS

- 90% energy saving over halogen
- Maintenance free
- Weatherproof power switch
- Lightweight frame with soft grip handle
- Supplied with a 10A UK plug
- Sturdy steel stand, die cast housing with tempered glass
- 2m of H05RN-F rubber cable
- Fixed output integrated driver

**5000K**  
NEUTRAL  
WHITE

**30,000**  
HOURS

BEAM  
ANGLE  
**95°**

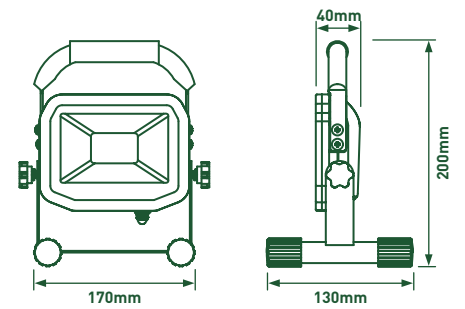
**IP65**  
RATED

**NEW  
RANGE**



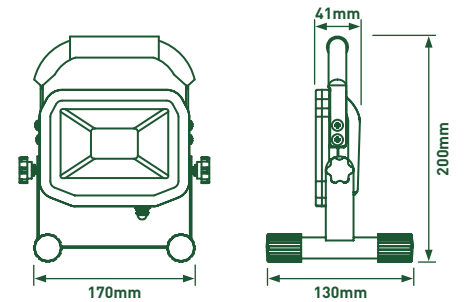
## 600Llm (10W)

CAT NO.	LUMINAIRE LUMENS	WATTAGE	EFFICACY Llm/W	EQUIVALENT WATTAGE
LSW10BR2	600	10W	60	100W



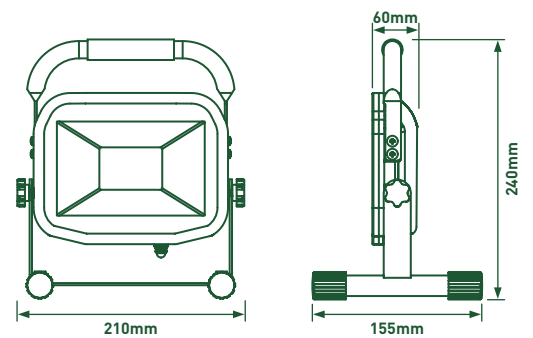
## 1200Llm (20W)

CAT NO.	LUMINAIRE LUMENS	WATTAGE	EFFICACY Llm/W	EQUIVALENT WATTAGE
LSW20BR2	1200	20W	60	200W



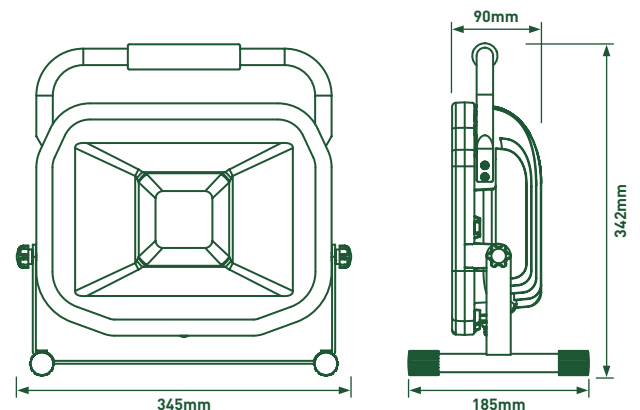
## 1800Llm (30W)

CAT NO.	LUMINAIRE LUMENS	WATTAGE	EFFICACY Llm/W	EQUIVALENT WATTAGE
LSW30BR2	1800	30W	60	300W



## 3000Llm (50W)

CAT NO.	LUMINAIRE LUMENS	WATTAGE	EFFICACY Llm/W	EQUIVALENT WATTAGE
LSW50BR2	3000	50W	60	500W



# SLIMLINE TWIN TRIPOD WORK LIGHTS

- 90% energy saving over halogen
- Maintenance free
- Weatherproof power switch on each floodlight for independent switching
- Lightweight frame
- Supplied with a 10A UK plug
- Sturdy steel stand, die cast housing with tempered glass
- 3m of H05RN-F rubber cable
- Inbuilt cable storage
- Fixed output integrated driver

**5000K**  
NEUTRAL  
WHITE

**30,000**  
HOURS

BEAM  
ANGLE  
**95°**

**IP65**  
RATED

**NEW**  
RANGE



## 2x 600Lm (10W)

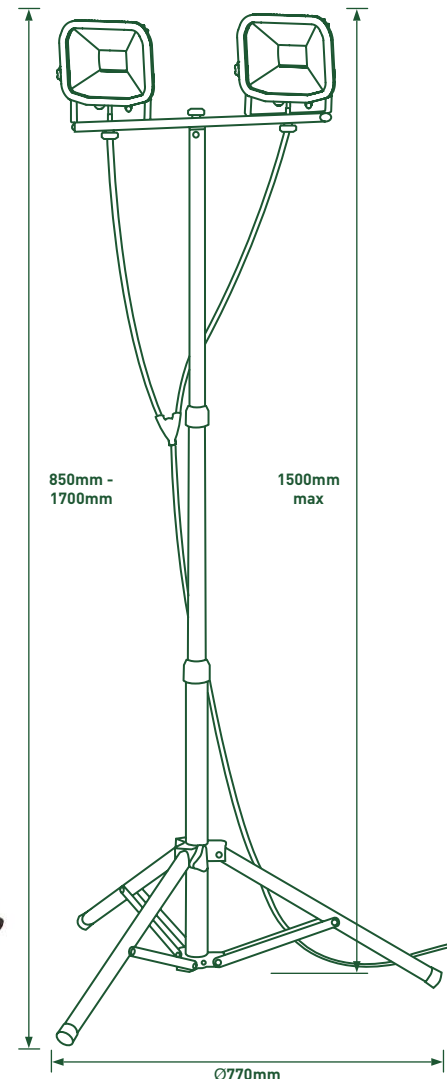
CAT NO.	LUMINAIRE LUMENS	WATTAGE	EFFICACY Lm/W	EQUIVALENT WATTAGE
LSWT210BR3	2x 600	2x 10W	60	2x 100W

## 2x 1200Lm (20W)

CAT NO.	LUMINAIRE LUMENS	WATTAGE	EFFICACY Lm/W	EQUIVALENT WATTAGE
LSWT220BR3	2x 1200	2x 20W	60	2x 200W

## 2x 1800Lm (30W)

CAT NO.	LUMINAIRE LUMENS	WATTAGE	EFFICACY Lm/W	EQUIVALENT WATTAGE
LSWT230BR3	2x 1800	2x 30W	60	2x 300W



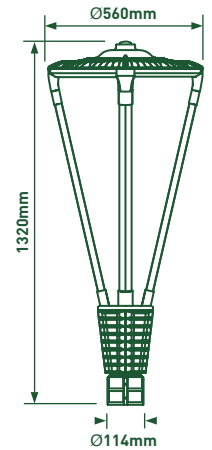
# POST TOP

## AMENITY LANTERN

- No upward light pollution
- Aluminium and toughened glass construction
- Low glare design
- Recommended height 3-5 metre



CAT NO.	LUMINAIRE LUMENS	WATTAGE	EFFICACY Llm/W
LEAMPT30C50	2250	30W	75



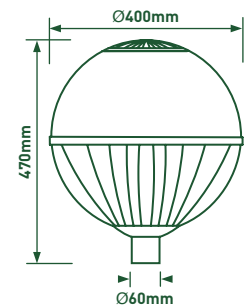
# POST TOP

## AMENITY LANTERN

- No upward light pollution
- Aluminium and polycarbonate construction
- Low glare design
- Recommended height 3-5 metre



CAT NO.	LUMINAIRE LUMENS	WATTAGE	EFFICACY Llm/W
LEAMPT30G50	2000	30W	66



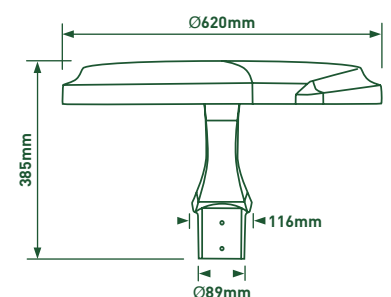
# POST TOP

## AMENITY LANTERN

- No upward light pollution
- Aluminium and polycarbonate construction
- Contemporary design
- Recommended height 3-5 metre



CAT NO.	LUMINAIRE LUMENS	WATTAGE	EFFICACY Llm/W
LEAMPT62V50	2500	62W	40



# POST TOP

## AMENITY LANTERN

- Aluminium and polycarbonate construction
- No upward light pollution
- Recommended height 4-6 metre

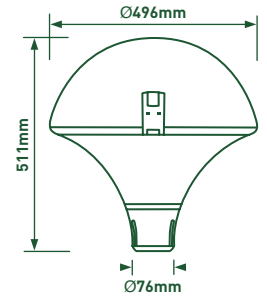
**5000K**  
NEUTRAL  
WHITE

**30,000**  
HOURS

**IP66**  
RATED

**NEW  
RANGE**

CAT NO.	LUMINAIRE LUMENS	WATTAGE	EFFICACY Llm/W
LEAMPT55D50	5200	55W	94



# ROAD LANTERN

- Aluminium and toughened glass
- Two part construction allowing easy 'first fix' installation
- No upward light pollution
- Modern slim design
- Accepts 48mm or 60mm diameter mounting bracket/arm

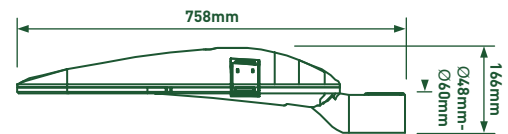
**5000K**  
NEUTRAL  
WHITE

**30,000**  
HOURS

**IP66**  
RATED

**NEW  
RANGE**

CAT NO.	LUMINAIRE LUMENS	WATTAGE	EFFICACY Llm/W
LESRTP59R50	6200	59W	105



# ROAD LANTERN

- No upward light pollution
- Aluminium and polycarbonate construction

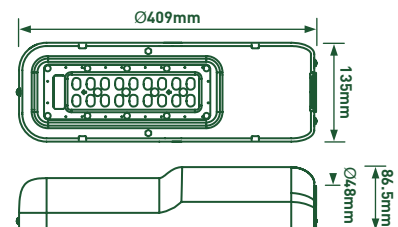
**5000K**  
NEUTRAL  
WHITE

**30,000**  
HOURS

**IP65**  
RATED

**NEW  
RANGE**

CAT NO.	LUMINAIRE LUMENS	WATTAGE	EFFICACY Llm/W
LESRTB50R50	4930	50W	98

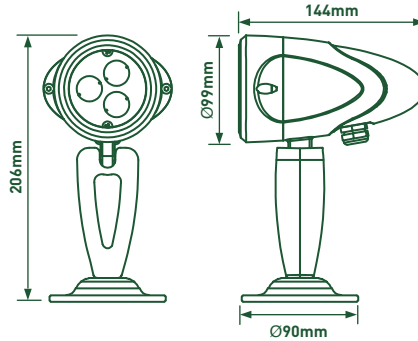


# SPOT

## EXTERIOR ARCHITECTURAL

- Durable die cast construction
- Toughened glass lens
- Adjustable 350°
- Rotation 15°

<b>5000K</b> NEUTRAL WHITE	<b>30,000</b> HOURS	BEAM ANGLE <b>25°</b>	<b>IP65</b> RATED
----------------------------------	------------------------	-----------------------------	----------------------



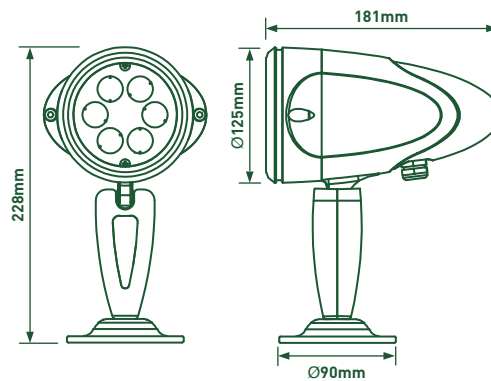
CAT NO.	LUMINAIRE LUMENS	WATTAGE	EFFICACY Llm/W
LEAR42550	250	4.1W	60

# SPOT

## EXTERIOR ARCHITECTURAL

- Durable die cast construction
- Toughened glass lens
- Adjustable 350°
- Rotation 15°

<b>5000K</b> NEUTRAL WHITE	<b>30,000</b> HOURS	BEAM ANGLE <b>25°</b>	<b>IP65</b> RATED
----------------------------------	------------------------	-----------------------------	----------------------



CAT NO.	LUMINAIRE LUMENS	WATTAGE	EFFICACY Llm/W
LEAR82550	480	8.2W	58



Buried Uplight LEAMBU4F50 and Spot LEAR42550



# FIXED

## BURIED UPLIGHT

- Fixed beam
- 2500kg max loading
- Low surface temperature glass

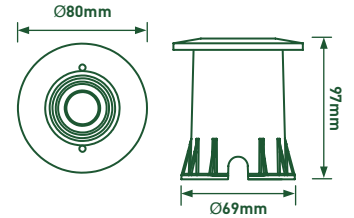
5000K  
NEUTRAL  
WHITE

30,000  
HOURS

BEAM  
ANGLE  
25°

IP67  
RATED

NEW  
RANGE



CAT NO.	LUMINAIRE LUMENS	WATTAGE	EFFICACY Lm/W
LEAMBU1F50	87	1.4W	62

# FIXED

## BURIED UPLIGHT

- Fixed beam
- 2500kg max loading
- Low surface temperature glass

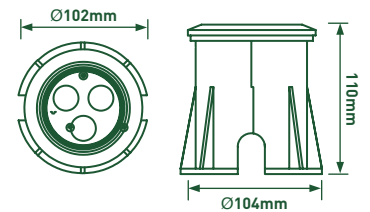
5000K  
NEUTRAL  
WHITE

30,000  
HOURS

BEAM  
ANGLE  
25°

IP67  
RATED

NEW  
RANGE



CAT NO.	LUMINAIRE LUMENS	WATTAGE	EFFICACY Lm/W
LEAMBU4F50	284	4W	71

# ADJUSTABLE

## BURIED UPLIGHT

- Adjustable, beam can be tilted at 10°, 30° or 40° settings
- 2500kg max loading
- Low surface temperature glass

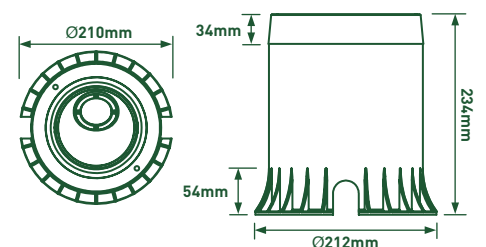
5000K  
NEUTRAL  
WHITE

30,000  
HOURS

BEAM  
ANGLE  
25°

IP67  
RATED

NEW  
RANGE



CAT NO.	LUMINAIRE LUMENS	WATTAGE	EFFICACY Lm/W
LEAMBU12A50	840	12.4W	67



# LAMPS & TUBES

Aluminium die-casting / thermoplastic construction using the latest LED technology.

GU10	67
MR16	68
A60/A70 Classic	69
B45 Mini Globe	70
C30 Candle	71
Capsules	71
Corn	72
PAR	72
GX53	73
R Series	73
T8	74
S15	74

## RANGE FEATURES

- **FITS INTO EXISTING FITTINGS** - No need to replace your fittings; just install your new LED lamps and start saving money.
- **SPOT THE DIFFERENCE** - LED lamps look the same as fluorescent lamps, using a fraction of the energy.
- **REPLACE ONE AT A TIME** - LED lamps can be combined with fluorescent or tungsten filament lamps, allowing gradual replacement over a period of time.

<b>INSTANT ON</b> 	$\geq 15,000$ 	<b>MERCURY</b> 0.0mg <b>0</b> Hg	<b>CRI</b> $> 80$
-----------------------	-------------------	---	----------------------

# LAMPS

## GU10 'TRUEFIT'

- True halogen appearance and perfect fit
- 90% energy saving versus halogen
- 10 times lifetime versus halogen
- All Luceco dimmers are LED compatible and available in white moulded and metal finishes
- Will retrofit any current GU10 halogen lamp

**2700K**  
WARM  
WHITE

**4000K**  
NEUTRAL  
WHITE

**6500K**  
COOL  
WHITE

25,000  
HOURS

### ECO BLISTERS

CAT NO.	DESCRIPTION	LUMENS	WATTAGE	EFFICACY lm/W	COLOUR TEMP	BEAM ANGLE	EQUIVALENT WATTAGE	INNER QUANTITY	OUTER QUANTITY
LGW3W26-LE	Non-dimmable	260	3.5W	74	2700K	38°	35W	5	50
LGW3W26/2-LE	Pack of 2	260	3.5W	74	2700K	38°	35W	5	50
LGW3W26/3-LE	Pack of 3	260	3.5W	74	2700K	38°	35W	5	50
LGN3W26-LE	Non-dimmable	260	3.5W	74	4000K	38°	35W	5	50
LGW5W37-LE	Non-dimmable	370	5W	74	2700K	38°	50W	5	50
LGW5W37/2-LE	Pack of 2	370	5W	74	2700K	38°	50W	5	50
LGW5W37/3-LE	Pack of 3	370	5W	74	2700K	38°	50W	5	50
LGN5W37-LE	Non-dimmable	370	5W	74	4000K	38°	50W	5	50
LDGW5W37-LE	Dimmable	370	5W	74	2700K	38°	50W	5	50
LDGW5W37/2-LE	Pack of 2	370	5W	74	2700K	38°	50W	5	50
LDGW5W37/3-LE	Pack of 3	370	5W	74	2700K	38°	50W	5	50
LDGN5W37-LE	Dimmable	370	5W	74	4000K	38°	50W	5	50
LGW7W56-LE	Non-dimmable	560	7W	80	2700K	38°	75W	5	50
LGN7W56-LE	Non-dimmable	560	7W	80	4000K	38°	75W	5	50

### BOXES

CAT NO.	DESCRIPTION	LUMENS	WATTAGE	EFFICACY lm/W	COLOUR TEMP	BEAM ANGLE	EQUIVALENT WATTAGE	INNER QUANTITY	OUTER QUANTITY
LGW3W26-01	Non-dimmable	260	3.5W	74	2700K	38°	35W	10	200
LGN3W26-01	Non-dimmable	260	3.5W	74	4000K	38°	35W	10	200
LGC3W26-01	Non-dimmable	260	3.5W	74	6500K	38°	35W	10	200
LGW5W37-01	Non-dimmable	370	5W	74	2700K	38°	50W	10	200
LGN5W37-01	Non-dimmable	370	5W	74	4000K	38°	50W	10	200
LGC5W37-01	Non-dimmable	370	5W	74	6500K	38°	50W	10	200
LDGW5W37-01	Dimmable	370	5W	74	2700K	38°	50W	10	200
LDGN5W37-01	Dimmable	370	5W	74	4000K	38°	50W	10	200
LDGC5W37-01	Dimmable	370	5W	74	6500K	38°	50W	10	200
LGW7W56-01	Non-dimmable	560	7W	80	2700K	38°	75W	10	200
LGN7W56-01	Non-dimmable	560	7W	80	4000K	38°	75W	10	200
LGC7W56-01	Non-dimmable	560	7W	80	6500K	38°	75W	10	200

### x5 MULTI-PACK BOXES

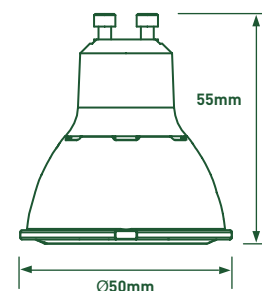
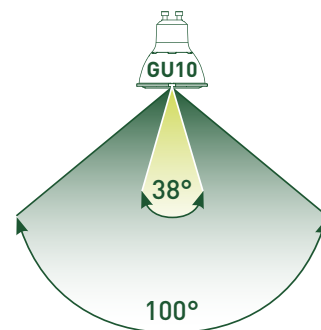
CAT NO.	DESCRIPTION	LUMENS	WATTAGE	EFFICACY lm/W	COLOUR TEMP	BEAM ANGLE	EQUIVALENT WATTAGE	INNER QUANTITY	OUTER QUANTITY
LGW3W21/5-01	Non dimmable	210	3W	70	2700K	38°	35W	-	10
LGN3W21/5-01	Non dimmable	210	3W	70	4000K	38°	35W	-	10
LGW3W26/5-01	Non dimmable	260	3W	86	2700K	38°	35W	-	10
LGW4W30/5-01	Non dimmable	300	4.2W	71	4000K	38°	40W	-	10
LGW5W37/5-01	Non dimmable	370	5W	74	2700K	38°	50W	-	10
LDGW5W37/5-01	Dimmable	370	5W	74	2700K	38°	50W	-	10
LDGN5W37/5-01	Dimmable	370	5W	74	4000K	38°	50W	-	10

## WIDE ANGLE BOXES



CAT NO.	DESCRIPTION	LUMENS	WATTAGE	EFFICACY lm/W	COLOUR TEMP	BEAM ANGLE	EQUIVALENT WATTAGE	INNER QUANTITY	OUTER QUANTITY
LGW5W30W-01	Non dimmable	300	5W	60	2700K	100°	35W	10	200
LGN5W30W-01	Non dimmable	300	5W	60	4000K	100°	35W	10	200
LGC5W30W-01	Non dimmable	300	5W	60	6500K	100°	35W	10	200
LGW7W50W-01	Non dimmable	500	7W	71	2700K	100°	50W	10	200
LGN7W50W-01	Non dimmable	500	7W	71	4000K	100°	50W	10	200
LGC7W50W-01	Non dimmable	500	7W	71	6500K	100°	50W	10	200

### BEAM ANGLE



(Standard and wide angle)



# LAMPS

## GU10 GLASS

- Traditional halogen effect
- Glass housing
- 90% energy saving versus halogen

**2700K**  
WARM  
WHITE

**4000K**  
NEUTRAL  
WHITE

**15,000**  
HOURS

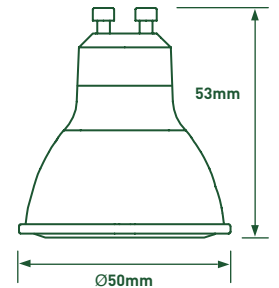
BEAM  
ANGLE  
**36°**

**NEW  
RANGE**



### ECO BLISTERS

CAT NO.	DESCRIPTION	LUMENS	WATTAGE	EFFICACY lm/W	COLOUR TEMP	EQUIVALENT WATTAGE	INNER QUANTITY	OUTER QUANTITY
LGW3G25-LE	Non-dimmable	250	3W	83	2700K	35W	5	50
LGW3G25/3-LE	Pack of 3	250	3W	83	2700K	35W	5	50
LGN3G25-LE	Non-dimmable	250	3W	83	4000K	35W	5	50
LGW5G35-LE	Non-dimmable	350	5W	70	2700K	50W	5	50
LGW5G35/3-LE	Pack of 3	350	5W	70	2700K	50W	5	50
LGN5G35-LE	Non-dimmable	350	5W	70	4000K	50W	5	50



### BOXES

CAT NO.	DESCRIPTION	LUMENS	WATTAGE	EFFICACY lm/W	COLOUR TEMP	EQUIVALENT WATTAGE	INNER QUANTITY	OUTER QUANTITY
LGW3G25-01	Non-dimmable	250	3W	83	2700K	35W	10	200
LGW5G35-01	Non-dimmable	350	5W	70	2700K	50W	10	200

### x5 MULTI-PACK BOXES

CAT NO.	DESCRIPTION	LUMENS	WATTAGE	EFFICACY lm/W	COLOUR TEMP	EQUIVALENT WATTAGE	INNER QUANTITY	OUTER QUANTITY
LGW3G25/5-01	Non-dimmable	250	3W	83	2700K	35W	-	10
LGW5G35/5-01	Non-dimmable	350	5W	70	2700K	50W	-	10

# LAMPS

## MR16 'TRUEFIT'

- True halogen appearance and perfect fit
- 90% energy saving versus halogen
- 10 times lifetime versus halogen
- Non-dimmable

**2700K**  
WARM  
WHITE

**4000K**  
NEUTRAL  
WHITE

**6500K**  
COOL  
WHITE

**25,000**  
HOURS

BEAM  
ANGLE  
**38°**



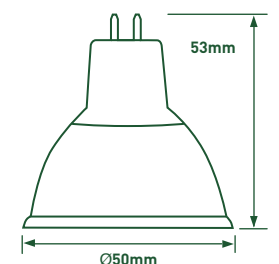
### ECO BLISTERS

CAT NO.	LUMENS	WATTAGE	EFFICACY lm/W	COLOUR TEMP	EQUIVALENT WATTAGE	INNER QUANTITY	OUTER QUANTITY
LMW3W26-LE	260	3.5W	74	2700K	20W	5	50
LMN3W26-LE	260	3.5W	74	4000K	20W	5	50
LMW5W37-LE	370	5W	74	2700K	35W	5	50
LMN5W37-LE	370	5W	74	4000K	35W	5	50

### BOXES

CAT NO.	LUMENS	WATTAGE	EFFICACY lm/W	COLOUR TEMP	EQUIVALENT WATTAGE	INNER QUANTITY	OUTER QUANTITY
LMW5W37-01	370	5W	74	2700K	35W	10	200
LMN5W37-01	370	5W	74	4000K	35W	10	200
LMC5W37-01	370	5W	74	6500K	35W	10	200

- Requires low voltage [230-240V to 12V] transformer



# LAMPS

## A60 CLASSIC FROSTED

- 30% energy saving versus CFLs
- Double lifetime versus CFLs



### ECO BLISTERS

CAT NO.	DESCRIPTION	CAP TYPE	LUMENS	WATTAGE	EFFICACY lm/W	COLOUR TEMP	EQUIVALENT WATTAGE	INNER QUANTITY	OUTER QUANTITY
LA22W6W47-LE	Non-dimmable	B22	470	6W	78	2700K	40W	5	50
LA22N6W47-LE	Non-dimmable	B22	470	6W	78	4000K	40W	5	50
LA27W6W47-LE	Non-dimmable	E27	470	6W	78	2700K	40W	5	50
LA27N6W47-LE	Non-dimmable	E27	470	6W	78	4000K	40W	5	50
LA27C6W47-LE	Non-dimmable	E27	470	6W	78	6500K	40W	5	50
LA22W10W81-LE	Non-dimmable	B22	810	10W	81	2700K	60W	5	50
LA22N10W81-LE	Non-dimmable	B22	810	10W	81	4000K	60W	5	50
LA27W10W81-LE	Non-dimmable	E27	810	10W	81	2700K	60W	5	50
LA27N10W81-LE	Non-dimmable	E27	810	10W	81	4000K	60W	5	50
LA27C10W81-LE	Non-dimmable	E27	810	10W	81	6500K	60W	5	50
LAD22W10W81-LE	Dimmable	B22	810	10W	81	2700K	60W	5	50
LAD22N10W81-LE	Dimmable	B22	810	10W	81	4000K	60W	5	50
LAD27W10W81-LE	Dimmable	E27	810	10W	81	2700K	60W	5	50
LAD27N10W81-LE	Dimmable	E27	810	10W	81	4000K	60W	5	50
LAD27C10W81-LE	Dimmable	E27	810	10W	81	6500K	60W	5	50

### BOXES

CAT NO.	DESCRIPTION	CAP TYPE	LUMENS	WATTAGE	EFFICACY lm/W	COLOUR TEMP	EQUIVALENT WATTAGE	INNER QUANTITY	OUTER QUANTITY
LA22W10W81-01	Non-dimmable	B22	810	10W	81	2700K	60W	10	100
LA27W10W81-01	Non-dimmable	E27	810	10W	81	2700K	60W	10	100
LAD22W10W81-01	Dimmable	B22	810	10W	81	2700K	60W	10	100
LAD27W10W81-01	Dimmable	E27	810	10W	81	2700K	60W	10	100

### x3 MULTI-PACK BOXES

CAT NO.	DESCRIPTION	CAP TYPE	LUMENS	WATTAGE	EFFICACY lm/W	COLOUR TEMP	EQUIVALENT WATTAGE	INNER QUANTITY	OUTER QUANTITY
LA22W6W47/3-01	Non-dimmable	B22	470	6W	78	2700K	40W	5	50
LA27W6W47/3-01	Non-dimmable	E27	470	6W	78	2700K	40W	5	50
LA22W10W81/3-01	Non-dimmable	B22	810	10W	81	2700K	60W	5	50
LA27W10W81/3-01	Non-dimmable	E27	810	10W	81	2700K	60W	5	50

## A70 CLASSIC FROSTED

- 30% energy saving versus CFLs
- Double lifetime versus CFLs

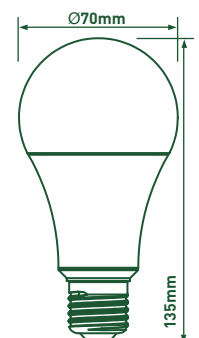
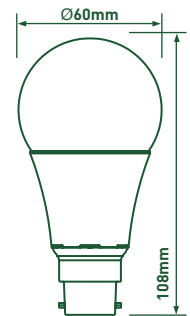


### ECO BLISTERS

CAT NO.	DESCRIPTION	CAP TYPE	LUMENS	WATTAGE	EFFICACY lm/W	COLOUR TEMP	EQUIVALENT WATTAGE	INNER QUANTITY	OUTER QUANTITY
LA22W15W15-LE	Non-dimmable	B22	1521	15W	101	2700K	100W	5	50
LA27W15W15-LE	Non-dimmable	E27	1521	15W	101	2700K	100W	5	50
LA22N15W15-LE	Non-dimmable	B22	1521	15W	101	4000K	100W	5	50
LA27N15W15-LE	Non-dimmable	E27	1521	15W	101	4000K	100W	5	50

### BOXES

CAT NO.	DESCRIPTION	CAP TYPE	LUMENS	WATTAGE	EFFICACY lm/W	COLOUR TEMP	EQUIVALENT WATTAGE	INNER QUANTITY	OUTER QUANTITY
LA27N15W15-01	Non-dimmable	E27	1521	15W	101	4000K	100W	10	200
LA27C15W15-01	Non-dimmable	E27	1521	15W	101	6500K	100W	10	200



# LAMPS

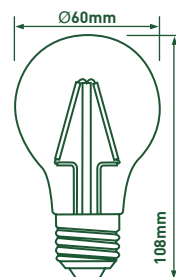
## A60 CLASSIC FILAMENT

- Traditional filament effect
- 85% energy saving versus tungsten filament



### ECO BLISTERS

CAT NO.	DESCRIPTION	CAP TYPE	LUMENS	WATTAGE	EFFICACY lm/W	EQUIVALENT WATTAGE	INNER QUANTITY	OUTER QUANTITY
LA22W6F54-LE	Non-dimmable	B22	540	6W	90	40W	5	50
LA27W6F54-LE	Non-dimmable	E27	540	6W	90	40W	5	50
LAD22W6FS60-LE	Dimmable	B22	600	6W	100	40W	5	50
LAD27W6FS60-LE	Dimmable	E27	600	6W	100	40W	5	50
LA22W7F72-LE	Non-dimmable	B22	720	7.2W	100	60W	5	50
LA27W7F72-LE	Non-dimmable	E27	720	7.2W	100	60W	5	50
LAD22W7FS80-LE	Dimmable	B22	800	7.5W	107	60W	5	50
LAD27W7FS80-LE	Dimmable	E27	800	7.5W	107	60W	5	50



# LAMPS

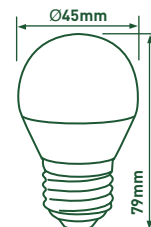
## B45 MINI GLOBE FROSTED

- 85% energy saving versus tungsten filament
- Double lifetime versus CFLs
- Non-dimmable



### ECO BLISTERS

CAT NO.	CAP TYPE	LUMENS	WATTAGE	EFFICACY lm/W	COLOUR TEMP	EQUIVALENT WATTAGE	INNER QUANTITY	OUTER QUANTITY
LB22W3W25-LE	B22	250	3.5W	71	2700K	25W	5	50
LB14W3W25-LE	E14	250	3.5W	71	2700K	25W	5	50
LB14C3W25-LE	E14	250	3.5W	71	6500K	25W	5	50
LB27W3W25-LE	E27	250	3.5W	71	2700K	25W	5	50
LB27C3W25-LE	E27	250	3.5W	71	6500K	25W	5	50
LB14W5W47-LE	E14	470	5.2W	90	2700K	40W	5	50
LB14C5W47-LE	E14	470	5.2W	90	6500K	40W	5	50



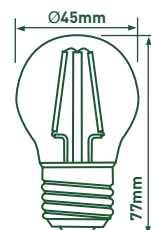
## B45 MINI GLOBE FILAMENT

- Traditional filament effect
- 85% energy saving versus tungsten filament
- Non-dimmable



### ECO BLISTERS

CAT NO.	CAP TYPE	LUMENS	WATTAGE	EFFICACY lm/W	EQUIVALENT WATTAGE	INNER QUANTITY	OUTER QUANTITY
LB15W4F40-LE	B15	400	4W	100	40W	5	50
LB22W4F40-LE	B22	400	4W	100	40W	5	50
LB14W4F40-LE	E14	400	4W	100	40W	5	50
LB27W4F40-LE	E27	400	4W	100	40W	5	50

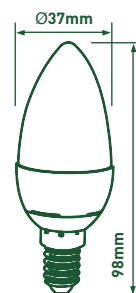


# LAMPS

## C30 CANDLE FROSTED

- 85% energy saving versus tungsten filament
- Double lifetime versus CFLs
- Non-dimmable

<b>2700K</b> WARM WHITE	<b>6500K</b> COOL WHITE	<b>25,000</b> HOURS	<b>BEAM</b> ANGLE <b>160°</b>
-------------------------------	-------------------------------	------------------------	-------------------------------------



### ECO BLISTERS

CAT NO.	CAP TYPE	LUMENS	WATTAGE	EFFICACY lm/W	COLOUR TEMP	EQUIVALENT WATTAGE	INNER QUANTITY	OUTER QUANTITY
LC15W3W25-LE	B15	250	3.5W	71	2700K	25W	5	50
LC22W3W25-LE	B22	250	3.5W	71	2700K	25W	5	50
LC14W3W25-LE	E14	250	3.5W	71	2700K	25W	5	50
LC14C3W25-LE	E14	250	3.5W	71	6500K	25W	5	50
LC27W3W25-LE	E27	250	3.5W	71	2700K	25W	5	50
LC14W5W47-LE	E14	470	5.2W	90	2700K	40W	5	50
LC14C5W47-LE	E14	470	5.2W	90	6500K	40W	5	50

### MULTI-PACK BOXES

CAT NO.	CAP TYPE	LUMENS	WATTAGE	EFFICACY lm/W	COLOUR TEMP	EQUIVALENT WATTAGE	INNER QUANTITY	OUTER QUANTITY
LC15W3W25/3-01	B15	250	3.5W	71	2700K	25W	5	50
LC14W3W25/3-01	E14	250	3.5W	71	2700K	25W	5	50

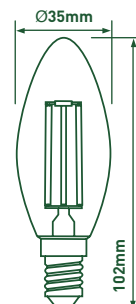
## C30 CANDLE FILAMENT

- Traditional filament effect
- 85% energy saving versus tungsten filament

<b>2700K</b> WARM WHITE	<b>15,000</b> HOURS	<b>NEW RANGE</b>
-------------------------------	------------------------	------------------

### ECO BLISTERS

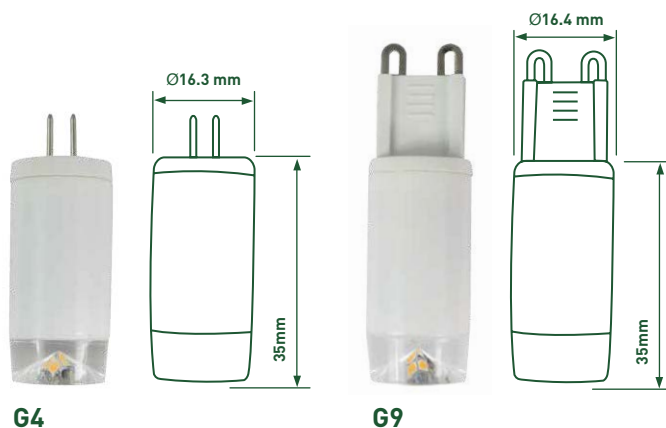
CAT NO.	DESCRIPTION	CAP TYPE	LUMENS	WATTAGE	EFFICACY lm/W	EQUIVALENT WATTAGE	INNER QUANTITY	OUTER QUANTITY
LC15W2F20-LE	Non-dimmable	B15	200	2W	100	25W	5	50
LC22W2F20-LE	Non-dimmable	B22	200	2W	100	25W	5	50
LC14W2F20-LE	Non-dimmable	E14	200	2W	100	25W	5	50
LC27W2F20-LE	Non-dimmable	E27	200	2W	100	25W	5	50
LCD15W3FS36-LE	Dimmable	B15	360	3.7W	97	40W	5	50
LCD14W3FS36-LE	Dimmable	E14	360	3.7W	97	40W	5	50
LC15W4F40-LE	Non-dimmable	B15	400	4W	100	40W	5	50
LC22W4F40-LE	Non-dimmable	B22	400	4W	100	40W	5	50
LC14W4F40-LE	Non-dimmable	E14	400	4W	100	40W	5	50
LC27W4F40-LE	Non-dimmable	E27	400	4W	100	40W	5	50



# CAPSULES

- Ideal for decorative light fittings
- 85% energy saving versus halogen
- Non-dimmable

<b>3000K</b> WARM WHITE	<b>15,000</b> HOURS	<b>BEAM</b> ANGLE <b>200°</b>	<b>NEW RANGE</b>
-------------------------------	------------------------	-------------------------------------	------------------



### ECO BLISTERS

CAT NO.	CAP TYPE	LUMENS	WATTAGE	EFFICACY lm/W	EQUIVALENT WATTAGE	VOLTAGE	INNER QUANTITY	OUTER QUANTITY
LG4W2W19-LE	G4	190	2.3W	83	20W	12V AC	5	50
LG9W2W20-LE	G9	200	2.5W	80	20W	220-240V	5	50

# LAMPS

## CORN

- Up to 70% energy saving versus HID lamps (high intensity discharge); Son (high pressure sodium) and HQI (metal halide) lamp types
- Non-dimmable
- Horizontal and vertical positions
- Non-enclosed fixtures only

**4000K**  
NEUTRAL  
WHITE

**6500K**  
COOL  
WHITE

**50,000**  
HOURS

BEAM  
ANGLE  
**360°**

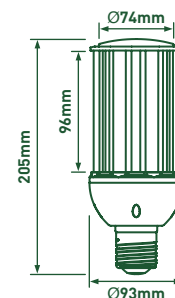
**NEW  
RANGE**



120W

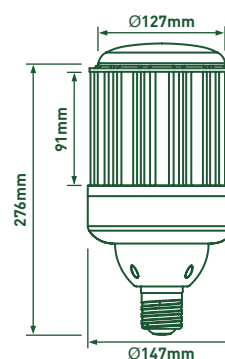
### 2900lm (27W)

CAT NO.	CAP TYPE	LUMENS	WATTAGE	EFFICACY lm/W	COLOUR TEMP	EQUIVALENT WATTAGE	OUTER QUANTITY
LCR27N27W29-01	E27	2900	27W	107	4000K	70W	5
LCR27C27W29-01	E27	2900	27W	107	6500K	70W	5



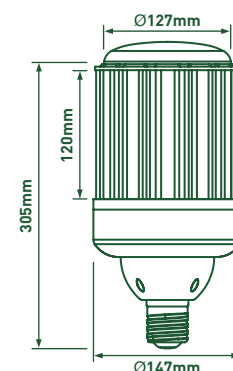
### 8400lm (80W)

CAT NO.	CAP TYPE	LUMENS	WATTAGE	EFFICACY lm/W	COLOUR TEMP	EQUIVALENT WATTAGE	OUTER QUANTITY
LCR40N80W84-01	E40	8400	80W	105	4000K	250W	5
LCR40C80W84-01	E40	8400	80W	105	6500K	250W	5



### 12600lm (120W)

CAT NO.	CAP TYPE	LUMENS	WATTAGE	EFFICACY lm/W	COLOUR TEMP	EQUIVALENT WATTAGE	OUTER QUANTITY
LCR40N120W12-01	E40	12600	120W	105	4000K	400W	5
LCR40C120W12-01	E40	12600	120W	105	6500K	400W	5



# LAMPS

## PAR

- 85% energy saving versus halogen
- Non-dimmable

**2700K**  
WARM  
WHITE

**20,000**  
HOURS

BEAM  
ANGLE  
**40°**

**NEW  
RANGE**



PAR20

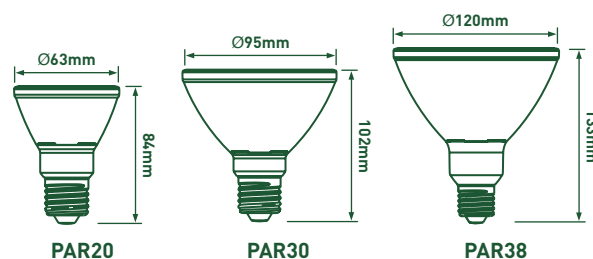


PAR30



PAR38

CAT NO.	CAP TYPE	LUMENS	WATTAGE	EFFICACY lm/W	EQUIVALENT WATTAGE	INNER QUANTITY	OUTER QUANTITY
LP20W6W45-01	E27	450	6.5W	69	70W	10	100
LP30W10W80-01	E27	800	10W	80	95W	5	50
LP38W15W12-01	E27	1200	15W	80	150W	-	20





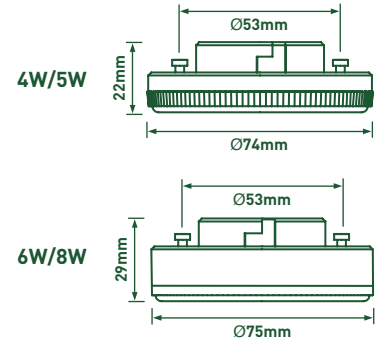
# LAMPS

## GX53

- 40% energy saving versus CFLs
- 80% energy saving versus tungsten filament
- Non-dimmable



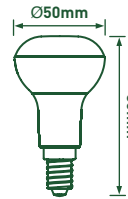
CAT NO.	LUMENS	WATTAGE	EFFICACY Lm/W	CFL EQUIVALENT WATTAGE	INCANDESCENT EQUIVALENT WATTAGE	COLOUR TEMP	INNER QUANTITY	OUTER QUANTITY
LGXW4W35-01	350	4W	87	7W	35W	3000K	10	100
LGXN4W35-01	350	4W	87	7W	35W	4000K	10	100
LGXC4W35-01	350	4W	87	7W	35W	6500K	10	100
LGXW5W45-01	450	5W	90	9W	45W	3000K	10	100
LGXN5W45-01	450	5W	90	9W	45W	4000K	10	100
LGXC5W45-01	450	5W	90	9W	45W	6500K	10	100
LGXW6W55-01	550	6W	91	11W	55W	3000K	10	100
LGXN6W55-01	550	6W	91	11W	55W	4000K	10	100
LGXC6W55-01	550	6W	91	11W	55W	6500K	10	100
LGXW8W75-01	750	8W	93	18W	75W	3000K	10	100
LGXN8W75-01	750	8W	93	18W	75W	4000K	10	100
LGXC8W75-01	750	8W	93	18W	75W	6500K	10	100



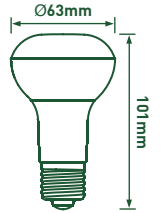
# LAMPS

## R SERIES

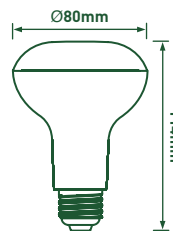
- 85% energy saving versus halogen
- Dimmable versions available



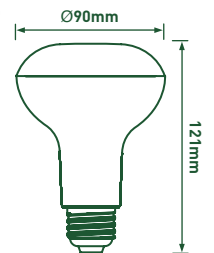
R50



R63



R80



R90

CAT NO.	DESCRIPTION	CAP TYPE	LUMENS	WATTAGE	EFFICACY Lm/W	EQUIVALENT WATTAGE	LIFETIME	INNER QUANTITY	OUTER QUANTITY
LR50W5W40-01	Non-dimmable	E14	400	5W	80	35W	25,000	10	100
LRD50W5W40-01	Dimmable	E14	400	5W	80	35W	25,000	10	100
LR63W7W55-01	Non-dimmable	E27	550	7W	79	45W	25,000	10	100
LRD63W7W55-01	Dimmable	E27	550	7W	79	45W	25,000	10	100
LR80W9W85-01	Non-dimmable	E27	850	9W	94	60W	15,000	5	50
LRD80W9W85-01	Dimmable	E27	850	9W	94	60W	15,000	5	50
LR90W12W10-01	Non-dimmable	E27	1050	12W	88	80W	15,000	-	20
LRD90W12W10-01	Dimmable	E27	1050	12W	88	80W	15,000	-	20

# TUBES

## GLASS T8

- 50% energy saving against fluorescent for similar lux levels
- Retrofit with most T8 luminaires (non-dimming)
- Shorted end, supplied with dummy replacement LED starter
- Fragment retention PET film
- Integrated Constant Current driver
- Operating temperature environment is -20°C to 40°C
- G13 cap
- Ignition time - <0.5 sec
- Start up time (95%) - <0.5 sec
- Tubes are powered from one end (fitting rewiring may be required)



**4000K**  
NEUTRAL  
WHITE

**6500K**  
COOL  
WHITE

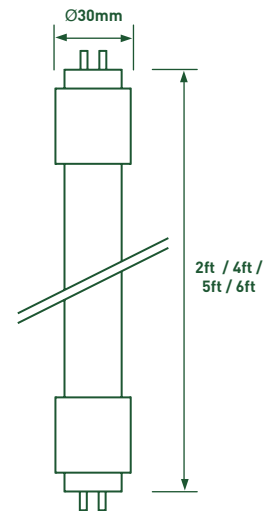
**≥15,000**

**30,000**  
HOURS

BEAM  
ANGLE  
**140°**

NEW  
RANGE

CAT NO.	SIZE	LUMENS	WATTAGE	EFFICACY lm/W	COLOUR TEMP	EQUIVALENT WATTAGE	OUTER QUANTITY
LT8G2N10W11-01	2ft/600mm	1100	10W	110	4000K	16W	25
LT8G2C10W11-01	2ft/600mm	1100	10W	110	6500K	16W	25
LT8G4N18W20-01	4ft/1200mm	2000	18W	110	4000K	30W	25
LT8G4C18W20-01	4ft/1200mm	2000	18W	110	6500K	30W	25
LT8G4N22W24-01	4ft/1200mm	2400	22W	110	4000K	36W	25
LT8G4C22W24-01	4ft/1200mm	2400	22W	110	6500K	36W	25
LT8G5N22W24-01	5ft/1500mm	2400	22W	110	4000K	36W	25
LT8G5C22W24-01	5ft/1500mm	2400	22W	110	6500K	36W	25
LT8G5N32W35-01	5ft/1500mm	3500	32W	110	4000K	45W	25
LT8G5C32W35-01	5ft/1500mm	3500	32W	110	6500K	45W	25
LT8G6N40W44-01	6ft/1800mm	4400	40W	110	4000K	72W	25
LT8G6C40W44-01	6ft/1800mm	4400	40W	110	6500K	72W	25



# TUBES

## S15

- Perfect incandescent replacement
- 90% energy saving
- Ideal for bathroom shaver sockets and under cabinet lighting

**3000K**  
WARM  
WHITE

**≥15,000**

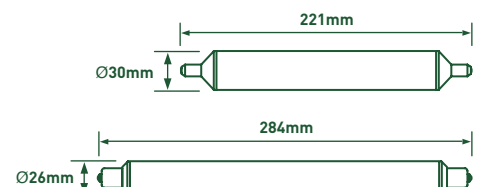
**30,000**  
HOURS

**IP60**  
RATED

NEW  
RANGE



CAT NO.	SIZE	LUMENS	WATTAGE	EFFICACY lm/W	BEAM ANGLE	EQUIVALENT WATTAGE	INNER QUANTITY	OUTER QUANTITY
LS15W2W20-01	221mm	200	2.5W	80	140°	20W	10	50
LS15W4W28-01	284mm	280	4W	70	140°	28W	10	50





T8 Tubes

# LUXBAND

## RGB 16 COLOUR LED STRIP

- Kit contains - 5 metre IP65 RGB LED strip, IP65 driver, remote controller, IR receiver and connectors
- 3M adhesive tape for positive fixing
- LuxBand can be cut to size and joined
- Dimensions - 5400mm x 14.5mm x 4mm  
Including input cable, excluding driver/controller
- 16 colour combinations
- Dim, fade, flash and strobe settings

**14.4W**  
per metre  
**LED**

**5 metre**  
LENGTH

**30,000**  
HOURS

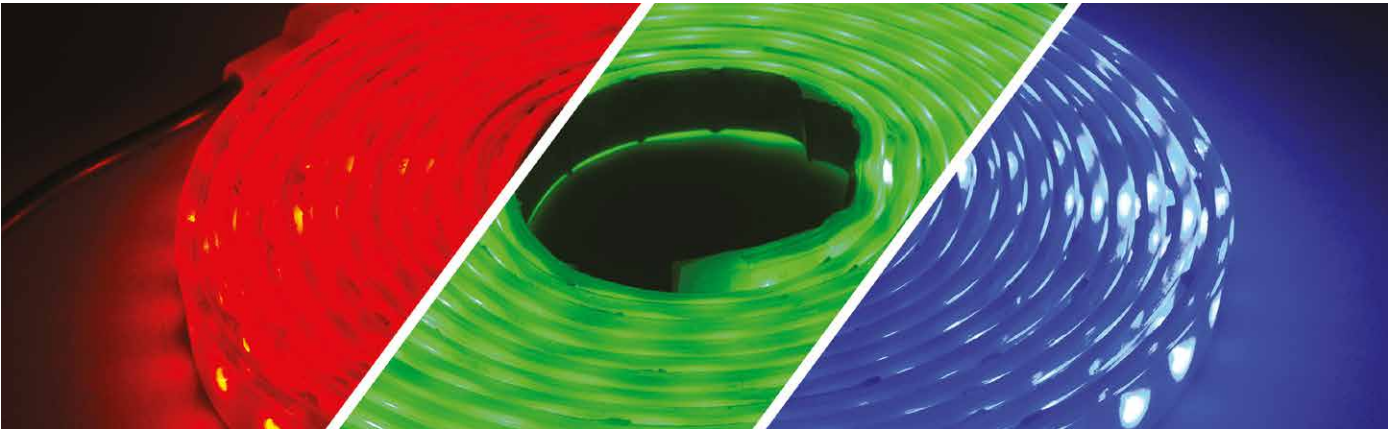
BEAM  
ANGLE  
**120°**

**IP65**  
RATED

**NEW RANGE**



CAT NO.	DESCRIPTION	SIZE
LTK5MRGB	RGB colour changing LED strip	5 metre (16 feet)



### KIT CONTAINS



5 metre IP65 RGB LED strip



IP65 driver



Remote controller



Accessories



Infra-red receiver

# LUXBAND

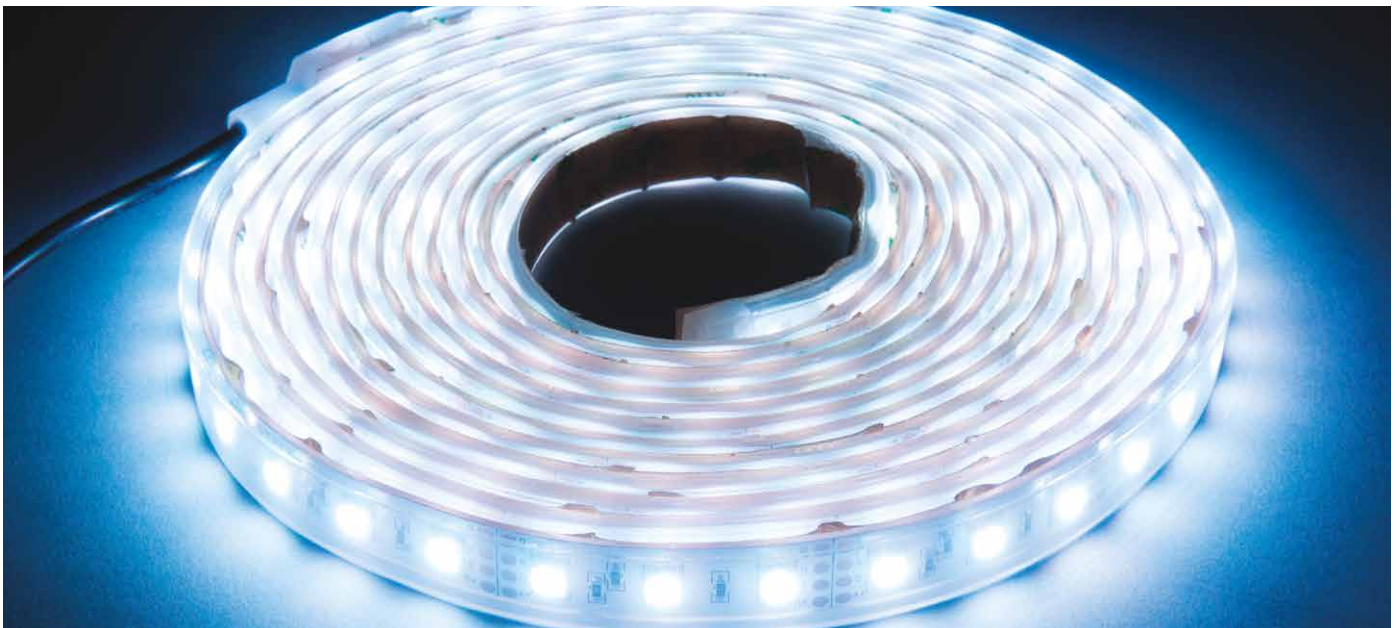
## WHITE LED STRIP

- Kit contains - 5 metre IP65 LED strip, IP65 driver and connectors
- 3M adhesive tape for positive fixing
- LuxBand can be cut to size and joined
- Dimensions - 5400mm x 14.5mm x 4mm  
Including input cable, excluding driver/controller

<b>14.4W</b> per metre <b>LED</b>	<b>5 metre</b> LENGTH 	<b>4000K</b> NEUTRAL WHITE	 <b>30,000</b> HOURS
<b>BEAM</b> ANGLE <b>120°</b>	<b>IP65</b> RATED 	<b>NEW</b> RANGE	



CAT NO.	DESCRIPTION	SIZE
LTK5M40	White LED strip	5 metre (16 feet)



### KIT CONTAINS



5 metre IP65 LED strip



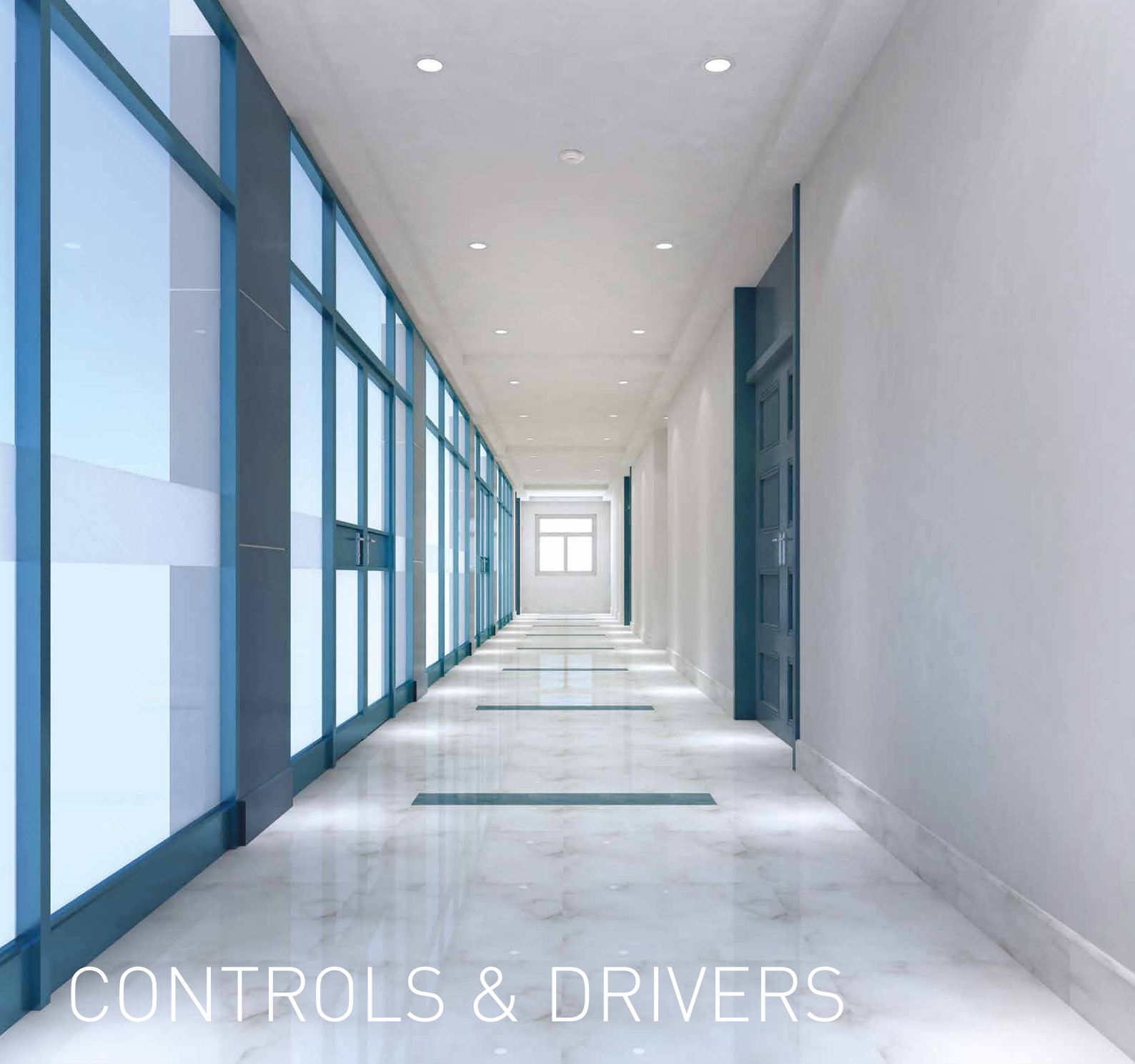
IP65 driver



Weatherproof connector



Accessories



# CONTROLS & DRIVERS

A wide range of passive infrared (PIR) & microwave lighting controls for the automatic control of lighting.

Sensors	79
PIR	79
Programmable	81
Drivers	82

## RANGE FEATURES

### SWITCHING DETECTOR

- Switching with lux level sensing (IR handset adjustment)
- Active photocell
- Time delay function: 10 sec - 99 min
- Presence detection switching
- Programmable via IR handset
- Adjustable detection sensitivity
- On/off override via optional IR handset

### DIMMING DETECTOR

- Step-down illuminance
- Maintained illuminance (daylight harvesting)
- Burn in feature for fluorescent tubes
- Control of DALI & DSI

# PRESENCE / ABSENCE DETECTOR

## LOW PROFILE PIR

**IP55  
RATED**

**LOAD  
RATING  
10A**

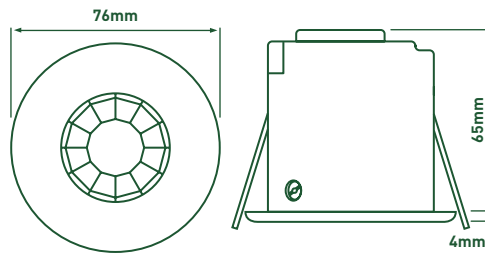
### SWITCHING DETECTOR

- Absence detection switching
- Manual on/off override via switch input

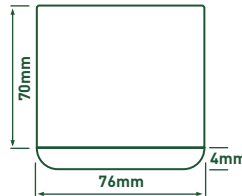
### DIMMING DETECTOR

- Dimming functionality
- Two channel flexibility
- Scene setting and recall
- Integral relay to reduce parasitic power

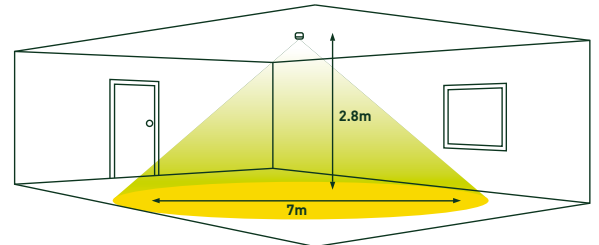
CAT NO.	DESCRIPTION
LPCMPIRM	Switching PIR
LPCMPIRDSI	Switching Direct Dim DALI/DSI
LPCLRBOX	Surface mount box



Surface mount box  
(including PIR)



### DETECTION PATTERN



# PRESENCE / ABSENCE DETECTOR

## ADJUSTABLE MICROWAVE

- Unique adjustable head design
- Locking mechanism to prevent tampering
- Flush or surface mounted options

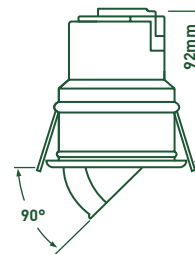
**LOAD  
RATING  
10A**

### SWITCHING DETECTOR

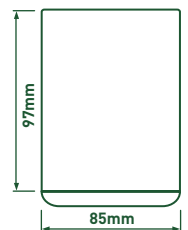
- Absence detection switching
- Manual on/off override via switch input

### DIMMING DETECTOR

- Dimming functionality
- Two channel flexibility
- Integral relay to reduce parasitic power
- Suitable for all lighting types
- Manual dimming with IR
- Manual dimming with switch input



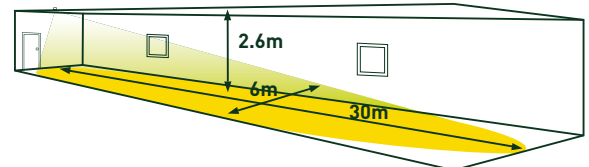
Surface mount box  
(including PIR)



### DETECTION PATTERN

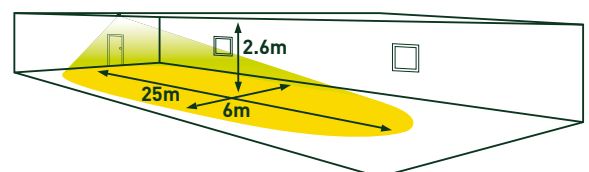
#### CORRIDORS

Sensitivity set to maximum  
Detector head position set to 80°



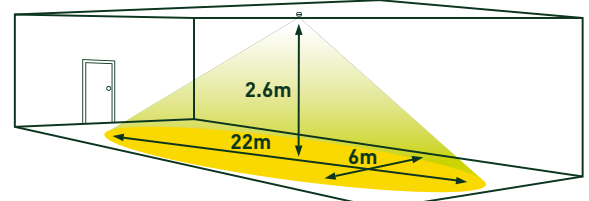
#### LARGE OFFICE / CLASSROOM

Sensitivity set to 80°  
Detector head position set to 80°



#### MID SIZED OFFICE

Sensitivity set to maximum  
Detector head position set to 0°



CAT NO.	DESCRIPTION
LPCLRPIRM	Switching PIR
LPCLRPIRDSI	Switching Direct Dim DALI/DSI
LPCLRBOX	Surface mount box

# PRESENCE / ABSENCE DETECTOR

## HIGH CEILING MOUNTED PIR

- Ground breaking detection range up to 40m (dependent on location)
- Mounting height up to 20m
- Unique lens technology – high sensitivity within the detection range
- Ideal for high mounting applications
- Adjustable masking shields to tailor detection zones (supplied)

<b>IP54 RATED</b>	<b>LOAD RATING 10A</b>
-------------------	------------------------

### SWITCHING DETECTOR

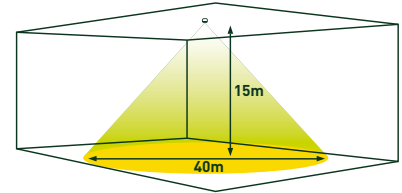
- Absence detection switching
- Manual on/off override via switch input
- Verify feature – reduce false triggering by ensuring detection from more than one of the internal sensors

### DIMMING DETECTOR

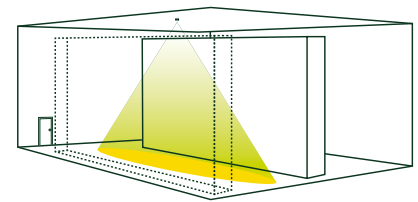
- Dimming functionality
- Two channel flexibility
- Scene setting and recall
- Integral relay to reduce parasitic power
- Suitable for all lighting types
- Manual dimming with IR
- Manual dimming with switch input



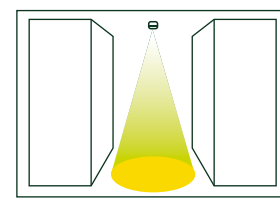
### NO SHIELD DETECTION PATTERN



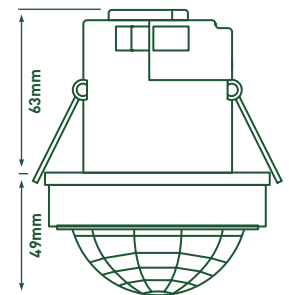
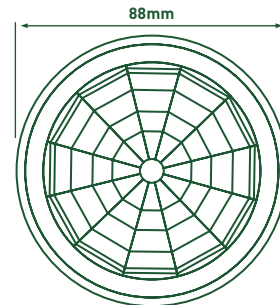
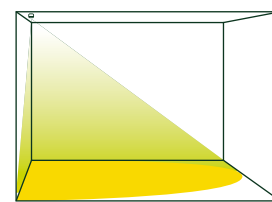
### AISLE DETECTION PATTERN



### FOCUSED DETECTION PATTERN



### END OF AISLE DETECTION PATTERN



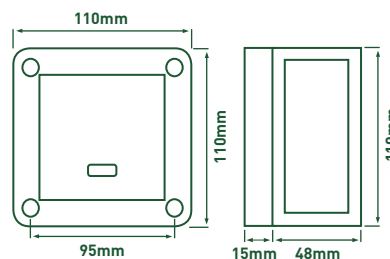
CAT NO.	DESCRIPTION
LPCMHPIRM65	Switching PIR
LPCMHPIRDSI65	Switching Direct Dim DALI/DSI

# PRESENCE DETECTOR

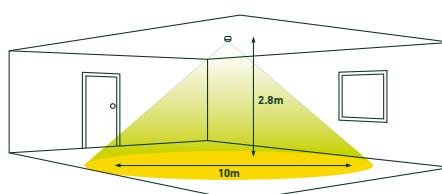
## CEILING/WALL MOUNTED MICROWAVE

- Built in lux level sensing - enhanced energy saving
- Fixing screw cap covers - smooth plate finish
- Vandal resistant design
- Minimal parasitic power
- Override facility

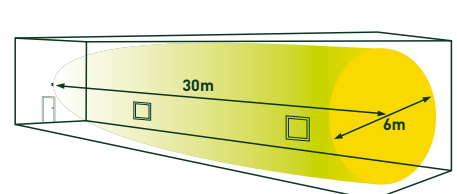
<b>IP66 RATED</b>	<b>LOAD RATING 10A</b>
-------------------	------------------------



### CEILING MOUNTED DETECTION PATTERN



### WALL MOUNTED DETECTION PATTERN



CAT NO.	DESCRIPTION
LPCSMP66	Switching PIR



# PRESENCE DETECTOR

## BATTEN MOUNT PIR

- Integrated unit - no separate power supply required
- Suitable for a wide range of luminaires
- Supplied with comprehensive fitting kit
- Retrofit solution

### DIMMING DETECTOR

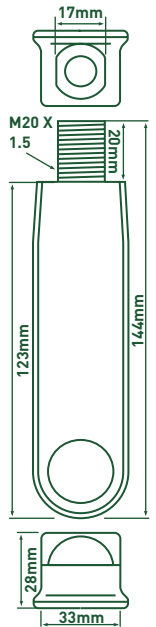
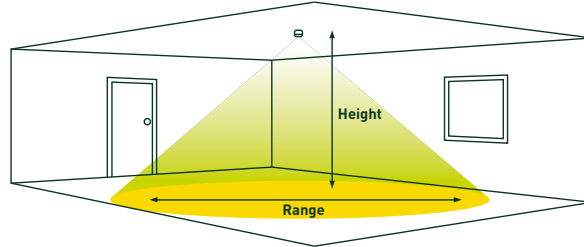
- Scene setting and recall
- Suitable for all lighting types
- Manual dimming with IR



CAT NO.	DESCRIPTION	LOAD RATING
LPC3BSP65	Switching PIR	2A
LPC3BDP65	Switching Direct Dim DALI/DSI	N/A



### DETECTION PATTERN



# REMOTE CONTROL

## FOR CEILING MOUNTED PIR

Our range of infrared (IR) handsets have been designed to allow simple configuration and maximum user convenience.

There's a handset to suit every user whether it's the contractor or building manager making a simple adjustment to a single detector, or a room user who simply wishes to override a setting or switch between pre-programmed scenes.

Compatible with all Luceco sensors.



**LPCUHC** - Commissioning handset

- Compact infrared handset
- Basic programming of IR enabled products



**LPCUSER** - User handset

- Simple scene setting
- On/off, raise/lower

# DRIVERS

- LED Drivers are a key component as they supply the luminaire with power
- Wrongly specified/matched drivers will inhibit performance and life of the LED
- Dimmable drivers can be used with digital dimming systems such as DSI, switch-dim or DALI
- Drivers are included with Luceco luminaires unless where clearly marked otherwise

## FIXED

CAT NO.	CONNECTED LED WATTAGE RANGE (MIN-MAX)	CURRENT	TRIDONIC CODE
LDR5350	2.5W - 5W	350mA	24166311
LDR10350	4.5W - 10W	350mA	87500240
LDR20350	9.0W - 20W	350mA	87500187
LDR35350	17.5W - 35W	350mA	87500193
LDR10500	4.5W - 10W	500mA	87500242
LDR20500	9.0W - 20W	500mA	87500189
LDR20700	9.0W - 20W	700mA	87500191
LDR35700	17.5W - 35W	700mA	87500197
LDR60700	30W - 60W	700mA	87500201
LDR601050	30W - 60W	1050mA	87500203
LDR42900	21W - 42W	900mA	87500246
LDR651400	32.5W - 65W	1400mA	87500205

## DIMMABLE

CAT NO.	CONNECTED LED WATTAGE RANGE (MIN-MAX)	CURRENT	TRIDONIC CODE
LDRDIM15350	5.0W - 15W	350mA	28000735
LDRDIM20900	9W - 20W	350-900mA	28000123
LDRDIM20500	5.0W - 20W	500mA	86459107
LDRDIM30700	5.0W - 30W	700mA	86458900
LDRDIM35900	17.5W - 35W	900mA	28000125
LDRDIM551400	25W - 55W	1400mA	28000129
LDRDIM551750	25W - 55W	900-1750mA	28000129

# TRIDONIC

▼ enlightening your ideas

The Luceco range features LED Drivers from leading control gear manufacturer, **Tridonic**. The remote driver is an essential component, providing power to the LED chips and **maximum rated life and performance** of the LED's can only be achieved with a high quality driver.



# GLOSSARY OF TERMS

## AC (~)

Alternating Current, as found in the mains power supply.

## ACCENT LIGHTING

Also commonly called display or highlighting. Accent lighting is typically at a higher intensity to emphasise an object or area. A Ratio of 3:1 versus ambient lighting is recommended for accent lighting to be noticeable.

## AMBIENT LIGHTING

The general background illuminance is usually at a low level and with task and/or accent lighting used for the task or display.

## AMBIENT TEMPERATURE (TA)

The air temperature surrounding the luminaire or component. LED luminaires are particularly temperature sensitive with excess temperature affecting performance and rated life. See also Junction Temperature.

## AMPERE (AMP)

The unit for measuring rate of flow of electrical current:

$$\text{Current (Amps)} = \text{Power (Watts)} / \text{Voltage (Volts)}$$

## ASYMMETRIC LIGHT DISTRIBUTION

Where the distribution of light from a luminaire is not even in one plane. Common in display luminaires such as 'wall washers' where light is directed intentionally in one direction.

## AZIMUTH

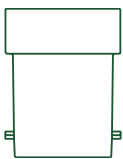
The 'swivel' angle, as used in floodlighting or display lighting designs and installations.

## BALLAST LUMEN FACTOR (BLF)

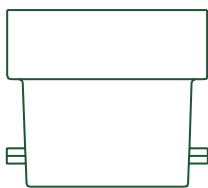
The proportion of light emitted by a luminaire when in emergency mode, usually powered by batteries, compared to the normal mains powered output. BLF figures can be <10% or 0.1 as emergency lighting levels are far lower than those required for normal lighting.

## BAYONET CAP (BC)

A common lamp cap found on many lamps in domestic use in the UK. The lamp cap has two small pins that protrude from the base, these are inserted into the lamp holder and lock the lamp in place as it is rotated. B15 and B22 are the most common types.



B15d



B22d

## BEAM ANGLE

Not, as commonly thought, the width or angle of light emitted from the lamp/luminaire. Instead, the point where intensity reaches 50% of the peak value.



## BINNING

The method used for sorting LED chips during manufacture, typically based on output and colour temperature. The latest manufacturing techniques employed by leading chip manufacturers are yielding chips that no longer require binning as the consistency and tolerance is greatly improved.

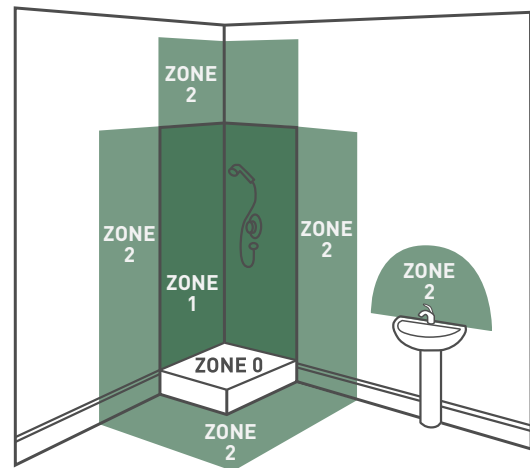
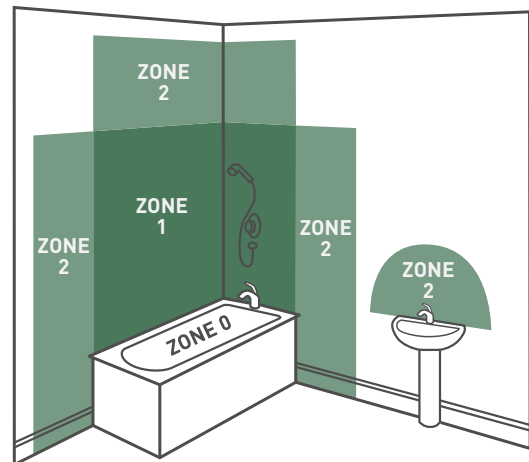
## BRIGHTNESS

Whilst brightness is what people see and react to, luminance is the actual surface brightness of an object and is measured in candelas per metre<sup>2</sup>.

## BATHROOM ZONES

Bathroom lighting needs to be functional and safe. It is divided into zones where only suitable light fittings should be used.

- **ZONE 0** is inside the bath or shower. Any fitting used in this zone must be low voltage, (max 12v) and rated at least IP67 which is immersion proof.
- **ZONE 1** is the area above the bath to a height of 2.25m from floor. In this zone a minimum rating of IP65 is required.
- **ZONE 2** is the area stretching 0.6m outside the perimeter of the bath and the area between zone 1 and the ceiling upto 3m. Also the area around the wash basin, within a 60cm radius of any tap. In this zone a minimum rating of IP44 is required.



## BRITISH BUILDING REGULATIONS

Various building regulations, usually referred to as the approved regulation document letter, exist not only to ensure that buildings are constructed safely but also that materials or equipment installed is of the current requirement. Various products comply with:

- **DOCUMENT B** - Fire Safety
- **DOCUMENT C** - Resistance to contaminants and moisture
- **DOCUMENT E** - Resistance to sound
- **DOCUMENT L** - Conservation of fuel and power

BUILDING  
REGULATION  
COMPLIANT:  
**PART B**

BUILDING  
REGULATION  
COMPLIANT:  
**PART C**

BUILDING  
REGULATION  
COMPLIANT:  
**PART E**

BUILDING  
REGULATION  
COMPLIANT:  
**PART L**

# GLOSSARY OF TERMS

## BRITISH STANDARDS INSTITUTE (BSI)

The national standards organisation is responsible for publication of standards that ensure products are constructed and operated safely and efficiently. Standards are prefixed with BS for a British Standard, EN for a European Standard and BS EN where the European Standard has been adopted as a British Standard. All BG Electrical products are conceived and produced to comply with the relevant standards, key standards for the LED range include:

- **EN 60598-1** - Luminaires - General requirements
- **EN 55015** - Limits and methods of measurement of radio disturbance characteristics of electrical lighting and similar equipment
- **EN 61547** - Equipment for general lighting purposes - EMC immunity requirements
- **EN 61000-3-2** - Electromagnetic compatibility (EMC) - Part 3-2: Limits - Limits for Harmonic current emissions
- **EN 62471** - Photobiological safety of lamps and lamp systems
- **EN 62560** - Self-ballasted LED-lamps for general lighting services by voltage 50 V. Safety specifications
- **EN 61347-1** - Lamp control gear - Part 1: General and safety requirements
- **2002/96/EC** - Waste Electrical & Electronic Equipment (WEEE)
- **2002/95/EC** - Restriction of the use of certain Hazardous Substances in EEE (RoHS)
- **(EC) No 1907/2006** - The Registration, Evaluation, Authorisation and Restriction of Chemicals (REACH)

## CANDELA (CD)

The SI unit for luminous intensity.

## CE

The European Community mark 'Conformité Européenne' signifying all relevant standards and directives have been complied with.



## CHIP

The LED Chip is the light source.

## CHIP ON BOARD (COB)

Is the latest generation of LED light source. Many small LED chips are incorporated in one packaged light source to provide a more efficient solution that can be combined with a lens and/or reflector to maximise the light distribution.

## CLASS I

Class one luminaires require an Earth connection for electrical safety.



## CLASS II

Class two luminaires do not require an earth connection and are also referred to as double insulated.



## COLOUR APPEARANCE

Term used to describe how 'white' the emitted light looks. Commonly, warm, neutral, cool and daylight are used to categorise.

## COLOUR RENDERING INDEX (CRI)

A measure of the degree of colour shift objects undergo when illuminated by the light source as compared with those same objects when illuminated by a reference source of comparable colour temperature. The reference source has a CRI of 100. Natural light (daylight) would also be 100.



## CORRELATED COLOUR TEMPERATURE (CCT)

The description used to describe the effect of heating an object until it glows incandescently, the emitted radiation, and apparent colour, changes proportional to the temperature; easily envisioned when considering hot metal in a forge that glows red, then orange, and then white as the temperature increases. Measured in degrees Kelvin.

<3300K	WARM WHITE
3300K - 5300K	NEUTRAL WHITE
>5300K	COOL WHITE



## CORRIDOR FUNCTION

Refers to luminaires that when not required to emit 100% light output, switch to 10% output. This 'standby mode' allows the luminaire to provide a low level of illumination for a feeling of security so the area is not totally dark. Upon sensing movement the output automatically and instantly switches to 100%. This is particularly useful in circulation areas such as corridors and stairwells.

## CUT-OUT DIMENSION

Size of hole required to install luminaire.



## CUT OFF ANGLE

Small downlights can appear too intense and very glary, so cut off angle illustrates the point where the light source can't be seen.

## DALI

Stands for Digital Addressable Lighting Interface, where each driver and control component such as a sensor or switch has a unique address on the lighting installation. This allows for infinite configuration of the lighting installation and flexibility in the future.

## DIMMING

Many Luceco luminaires are available as a dimmable version option. Generally this requires a different driver to the standard fixed output driver and also may require additional wiring on site to operate/control the dimming function.

## DIRECT LIGHTING

Luminous flux that reaches the working plane without being reflected from walls/ceiling or within the luminaire itself.

## DLOR

Downward Light Output Ratio is the percentage of luminous flux output from the lamp/luminaire that is emitted in the 180° angle below horizontal.

## DOUBLE INSULATION

Also known as Class II, where two levels of insulation (such as two cable coverings) protect live parts from exposure.



# GLOSSARY OF TERMS

## DRIVER

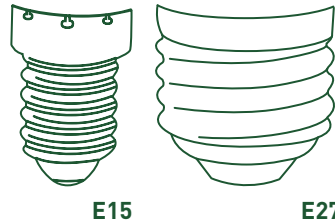
The driver is often the critical component in a LED luminaire or lamp, more so than the LED chip itself. The driver has to be matched to the power requirements of the LED chip and also have quality components. Drivers that use inferior components such as capacitors, will fail before the rated life of the LED chip, reducing the claimed life by as much as 50%.

## EDGE LIT

All LuxPanels are edge lit; this means that the LED chips are positioned vertically around the perimeter of the panel. This provides an excellent uniformly illuminated panel in a fixture as slim as 8mm.

## EDISON SCREW

A lamp cap that features a screw thread for a positive fit in the lampholder, common sizes include E15 and E27.



## EFFICACY

Is the measure of how efficient a lamp or luminaire is. This can be expressed as (source) lumens per watt, which is the normal measure for lamps. Or, as luminaire lumens per circuit watt that is common for luminaires. The figure for luminaires will also include the LOR of the luminaire in the calculation.

## EMERGENCY LIGHTING

Is to allow the safe evacuation of an area in the event of a mains failure. The positioning and number of emergency lighting luminaires is detailed in a British Standard, BS5266. It is vital that emergency lighting is maintained correctly to ensure batteries are conditioned so it operates when required.

## ESCAPE ROUTE

Emergency lighting along a route such as a corridor or staircase to enable safe evacuation.

## FIRE RATED

Where a luminaire is installed in a fire barrier such as into a ceiling, it must have the same resistance to fire rating as that barrier. For domestic installations there are ratings of 30, 60 and 90mins and each limit must be tested for. A 90min rated product does not automatically comply with 30 or 60mins due to the different ceiling constructions. Non domestic applications usually have a fire resistant barrier such as a concrete slab between floors. So, do not have the requirement in many cases.



## FLUX / LUMINOUS FLUX

Luminous flux is the measure of the perceived power of light, adjusted to reflect the varying sensitivity of the human eye to different wavelengths of light and is expressed in Lumens (lm).

## F MARK

Denotes luminaires that can be mounted on to flammable surfaces as the heat generated will not cause any combustion. Previously luminaires that were suitable had to be marked, but the most recent standard requires only luminaires that don't comply to be marked.

## FREQUENCY

Is the rate that the power supply wavelength fluctuates and is measured in Hertz.

## GENERAL LIGHTING

Lighting to illuminate the general area without supplementary task lighting.

## GLARE

Is difficulty seeing in the presence of bright light such as direct or reflected sunlight or artificial light and is proportional to the background illuminance, a good example is a car headlight that provides glare at night time but not during the day.

## GONIOPHOTOMETER

A photometric device for testing the luminous intensity distribution, efficiency, and luminous flux of luminaires.

## HEAT SINK

A part of the thermal system that conducts or convects heat away from sensitive components, such as LEDs and electronics.

## HERTZ (HZ)

The unit to measure frequency.

## HIGH POWER LED

A high power LED, sometimes referred to as a power LED, is one that is driven at a current of 350mA or higher.

## HIGH RISK AREA

A requirement in Emergency lighting where a process may require safe shut down or an increased hazard. Higher emergency lighting levels are therefore required local to the risk.

## INGRESS PROTECTION (IP) RATING

A system that identifies the protection that a lamp or luminaire has against solid objects and water. The first digit being solid object protection and the second one resistance to water. All Luceco products IP20 unless otherwise stated.



PROTECTION AGAINST SOLID FOREIGN OBJECTS		PROTECTION AGAINST HARMFUL INGRESS OF WATER	
IP	TESTS	IP	TEST
0	No protection	0	No protection
1	Full penetration of 50mm diameter of sphere not allowed. Contact with hazardous parts not permitted.	1	Protected against vertically falling drops of water.
2	Full penetration of 12.5mm diameter of sphere not allowed. The jointed test finger shall have adequate clearance from hazardous parts.	2	Protected against vertically falling drops of water with enclosure tilted 15° from the vertical.
3	The access probe of 2.5mm diameter shall not penetrate.	3	Protected against sprays to 60° from the vertical.
4	The access probe of 1mm diameter shall not penetrate.	4	Protected against water splashed from all directions - limited ingress permitted.
5	Limited ingress of dust permitted (no harmful deposit).	5	Protected against low pressure jets of water from all directions - limited ingress permitted.
6	No ingress of dust.	6	Protected against strong jets of water e.g. for use on ship decks - limited ingress permitted.
		7	Protected against the effects of immersion between 150mm and 1m.
		8	Protected against continuous submersion at a specified depth.

## IES

Illuminating Engineering Society, an American organisation that provides standards and recommendations. Photometric data files are common in .ies file format.

## ILLUMINANCE

The intensity of light falling on a surface area. If the area is measured in square feet, the unit of illuminance is footcandles (fc). If measured in square meters, the unit of illuminance is lux (lx).

# GLOSSARY OF TERMS

## INDIRECT LIGHTING

Lighting that is reflected by room surfaces or within the luminaire before falling on to the working area. As a result of reflection it is often lower in intensity and glare.

## INITIAL LUMENS

The output up to 100 hours use.

## INRUSH CURRENT

Components such as drivers can have high inrush currents for milliseconds due to the use of capacitors, this should be considered when specifying switching and breaker ratings.

## INTEGRATING SPHERE

A device used for a variety of optical, photometric, or radiometric measurements.

## ISOLUX DIAGRAM

A graphical representation of common illuminance levels to show lighting levels over a calculated area.

## JUNCTION

The point at which the Positive and Negative conductors meet in a LED.

## JUNCTION TEMPERATURE

A critical consideration in LED lamp or luminaire design. For every 10°C that the junction temperature exceeds the optimum figure, life of the LED chip is reduced by 50%. Overrunning LEDs by operating at higher amps will cause this to happen.

## KELVIN

The SI unit used to measure and denote colour temperature, degrees Kelvin.

## kWh

Kilo-Watt-hour is the typical billing unit for electricity costs and represents 1kW of power over a 1 hour duration.

## LAMP

A lamp converts electrical power into light and sometimes they are called 'bulbs' due to the traditional lamp shape.

## LED

Light Emitting Diode. An LED is a solid-state semiconductor device that converts electrical energy directly into light. On its most basic level, the semiconductor is comprised of two regions. The p-region contains positive electrical charges while the n-region contains negative electrical charges. When voltage is applied and current begins to flow, the electrons move across the n-region into the p-region. The process of an electron moving through the p-n junction releases energy. The dispersion of this energy produces photons with visible wavelengths. Most LEDs emit a blue light as that is the most efficient format, a phosphor coating turns the blue light into the white light required.

## LED RATED LIFE

LED chip figures are quoted by the chip manufacturer and in some cases these are not translated when the chip is used in a luminaire where it can run hotter. As heat affects the LED chip, the life can be reduced dramatically.



## LIGHT OUTPUT RATIO (LOR)

Light Output Ratio is the percentage difference between the luminous flux emitted by the light source and the amount emitted from the fixture it is housed in.

## Llm/W

Luminaire lumens per circuit watt is total lumens emitted from the luminaire (source lumens x LOR) / total luminaire wattage including control gear.



## LUMENS (lm)

The international (SI) unit of luminous flux. Lumens will become the measure of light output as watts can not be a reliable measure due to the different efficacy of light sources and the ongoing improvement in LED efficacy through development.

## LUMEN DEPRECIATION

Describes the percentage of light lost relative to the initial lumen output. LEDs depreciate at a far slower rate than other light sources, so a LED with a lower initial output can quickly provide more light than a faster depreciating light source.

## LUMEN MAINTENANCE

The luminous flux at a given time in the life of the LED. This is expressed as a percentage of the initial luminous flux. This usually determines the rated life of a LED product as the point it should be replaced.

## LUMINAIRE

A lighting fixture complete with installed lamps or light source.

## LUMINAIRE LUMENS (Llm)

The light emitted from a luminaire will typically differ from the source lumens. This can be from losses within the luminaire housing. Also it is common for LED's to operate at a higher temperature in the luminaire, this can lead to the output increasing when compared to the source (chip) lumens. Luminaire lumens will be Source lumens x LOR.



## LUMINAIRE WATTAGE

Is the total of the LED and any control gear included.

## LUMINANCE

The surface brightness of an object and measured in candelas/m<sup>2</sup>.

## LUMINOUS EFFICIENCY

The percentage of total lamp lumens that a lighting fixture, luminaire, or system emits, minus any blocked or wasted light.

## LUX (LX)

The SI (International) unit of illuminance, or luminous flux incident on a unit area, frequently defined as one lumen per square metre (lm/m<sup>2</sup>).

## MAINTAINED EMERGENCY

A maintained emergency luminaire is able to be used for both general and emergency lighting, a second live cable allows it to be turned on/off as required and detect a mains power circuit failure.

## MICROWAVE SENSOR

The sensor emits low power microwaves that form a pattern in the area covered. When movement disturbs the pattern, movement is detected and the sensor turns the light source on. microwave sensors are only recommended for indoor use as they are sensitive to movement and not heat.

## NON-MAINTAINED EMERGENCY

A Non-Maintained emergency luminaire ONLY operates in emergency mode and is not for general lighting.

## OPEN AREA

Lighting also called 'anti-panic' area lighting is emergency lighting where not a high risk area or escape route.

# GLOSSARY OF TERMS

## ORGANIC LIGHT-EMITTING DIODES (OLED)

Organic light-emitting diodes (OLEDs) are based on organic (carbon based) materials. In contrast to LEDs, which are small point sources, OLEDs are made in sheets which provide a diffuse area light source. OLED technology is developing rapidly and is increasingly used in display applications such as mobile phones and PDA screens. However, OLEDs are still some years away from becoming a practical general illumination source.

## PIR

Passive Infra Red sensors detect movement by the change in background temperature as body heat moves into the area.

## PHOSPHOR

A coating of phosphorescent material which photons from a royal blue LED pass through causing those photons to exit with a different colour property.

## PHOTOMETRIC DATA

Is a generic term for light output and distribution data for a lamp or luminaire and can be shown in many formats. Generally data is produced following the IES or ELUMDAT method to provide a .ies or .ldt computer file for use in a lighting design program such as Relux or Dialux. Photometric data is available for a wide selection of Luceco luminaires from our website.

## POWER FACTOR

The active power divided by the apparent power (i.e., product of the rms input voltage and rms input current of a driver).

## POWER FACTOR CORRECTION

In an electronic device, such as an LED lighting fixture, a system of inductors, capacitors, or voltage converters to adjust the power factor of electronic devices toward the ideal power factor of 1.0.

## REACH

Registration, Evaluation, Authorisation & restriction of Chemicals. The EU Directive covering the use of hazardous chemicals used in the manufacturing process and supply of products.

## REMOTE LED DRIVER

Some LED lights in our range use a remote plug and play LED Driver, that offers flexibility to select either a fixed output, dimmable driver or emergency versions, with all being interchangeable.

## REMOTE PHOSPHOR

A phosphor conversion technique in which photons from a royal blue LED pass through a phosphor material that is not attached to the LED chip.

## RoHS

Restriction of Hazardous Substances (2002/95/EC) is an article 95 directive, meaning it is across all European Union member states. Since July 1st 2006 the use of hazardous substances is restricted in products, to prevent environmental harm. The prohibited substances are Lead, Mercury, Cadmium, Hexavalent Chromium, Polybrominated Biphenyls and Polybrominated Diphenyl Ethers. All relevant Luceco products comply.

## SELF-CONTAINED

The most common type of Emergency lighting luminaire, where all of the components are within one Emergency luminaire. This can include gear boxes connected directly to individual luminaires but outside the main luminaire housing. If within 1m, it is classed as self-contained.

## SMDs

Surface-mount LEDs.

## SOURCE LUMENS (LM)

Source or Chip lumens is the output of the LED array and does not allow for any reduction or increase from the luminaire.

## SOURCE WATTAGE

Also could be referred to as chip wattage is for the LED only and does not include any control gear.

## TASK LIGHTING

Localised lighting intended for a specific task.

## THERMAL MANAGEMENT

Controlling the operating temperature of the product through design, examples include heat sinks and improved airflow.

## Tp(a)

Diffusers used in recessed luminaires are classified in relevance to their resistance to fire and spread of flame. TP(a) is the highest classification but has lower efficacy due to the compromise in light transmittance.

## Tp(b)

Diffusers are acceptable for the majority of applications, following the 2013 revision of the building regulations. Approved Document B – Fire Safety: Volume: Building other than dwellinghouses, includes further detail.

## ULOR

Upward Light Output Ratio, the percentage of light emitted from a lamp or luminaire above the horizontal plane.

## ULTRAVIOLET (UV)

Electromagnetic radiation with wavelength shorter than that of visible light. LEDs emit minimal UV and therefore do not attract insects or potentially damage sensitive materials illuminated by them.

## UTILISATION FACTOR

In lighting design, the proportion of the luminous flux emitted by a light source, which reaches the working plane.

## VOLTAGE

The term used to describe the electrical potential difference between oppositely charged conductors.

## WATTAGE

The power consumed by the LED.

5W  
LED

# WARRANTY OVERVIEW (UK ONLY)

PRODUCT	1 YEAR ON SITE WARRANTY	3 YEAR STANDARD WARRANTY	5 YEAR EXTENDED WARRANTY (WITH REGISTRATION)	7 YEAR EXTENDED WARRANTY (WITH REGISTRATION)
<b>LuxPanel</b>				
Panels (Square, Surface Modular, Circular, IP65)	✓	✓	✓	-
Accessories	-	✓	-	-
<b>Surface &amp; Pendant</b>				
Academy	✓	✓	✓	-
Academy T8	-	✓	-	-
Decorative Surface	✓	✓	-	-
Pendant	✓	✓	-	-
<b>Downlights</b>				
Platinum	✓	✓	✓	-
Carbon	✓	✓	-	-
Atom Fire Rated	-	✓	✓	✓
Modular	✓	✓	✓	-
Decorative	✓	✓	-	-
<b>Ambient</b>				
Atlas Bulkhead	✓	✓	-	-
Mosi Bulkhead	-	✓	-	-
Taska Under Cabinet	-	✓	-	-
Wall Mounted Accent	✓	✓	-	-
Surface Spots	✓	✓	-	-
Track	✓	✓	-	-
<b>Industrial</b>				
Climate	✓	✓	✓	-
Climate T8	-	✓	-	-
LuxPack Batten	-	✓	-	-
Indus	✓	✓	-	-
Titan High Bay	✓	✓	✓	-
Ceres	✓	✓	-	-
<b>Emergency</b>				
Emergency	✓	✓	-	-
<b>Exterior Lighting</b>				
Wall Pack	✓	✓	-	-
Commercial Floodlights	✓	✓	-	-
Slimline Guardian Floodlights	-	✓	-	-
Slimline Work Lights	-	✓	-	-
Decorative Exterior	-	✓	-	-
<b>Lamps &amp; Tubes</b>				
Lamps / Linear	-	✓	-	-
LuxBand	-	✓	-	-
<b>Sensors</b>				
Stand Alone Lighting Controls	-	✓	-	-

Register your extended warranty at: [www.luceco.uk](http://www.luceco.uk)



CAT NO.	SECTION	PAGE	CAT NO.	SECTION	PAGE
LA22N10W81-LE	LAMPS & TUBES	69	LB14C5W47-LE	LAMPS & TUBES	70
LA22N15W15-LE	LAMPS & TUBES	69	LB14W3W25-LE	LAMPS & TUBES	70
LA22N6W47-LE	LAMPS & TUBES	69	LB14W4F40-LE	LAMPS & TUBES	70
LA22W10W81-01	LAMPS & TUBES	69	LB14W5W47-LE	LAMPS & TUBES	70
LA22W10W81-LE	LAMPS & TUBES	69	LB15W4F40-LE	LAMPS & TUBES	70
LA22W10W81/3-01	LAMPS & TUBES	69	LB22W3W25-LE	LAMPS & TUBES	70
LA22W15W15-LE	LAMPS & TUBES	69	LB22W4F40-LE	LAMPS & TUBES	70
LA22W6F54-LE	LAMPS & TUBES	70	LB27C3W25-LE	LAMPS & TUBES	70
LA22W6W47-LE	LAMPS & TUBES	69	LB27W3W25-LE	LAMPS & TUBES	70
LA22W6W47/3-01	LAMPS & TUBES	69	LB27W4F40-LE	LAMPS & TUBES	70
LA22W7F72-LE	LAMPS & TUBES	70	LBDL3IN	DOWNLIGHTS	24
LA27C10W81-LE	LAMPS & TUBES	69	LBDL3INDIM	DOWNLIGHTS	24
LA27C15W15-01	LAMPS & TUBES	69	LBDL4IN	DOWNLIGHTS	24
LA27C6W47-LE	LAMPS & TUBES	69	LBDL4INDIM	DOWNLIGHTS	24
LA27N10W81-LE	LAMPS & TUBES	69	LBDL6IN	DOWNLIGHTS	24
LA27N15W15-01	LAMPS & TUBES	69	LBDL6INDIM	DOWNLIGHTS	24
LA27N15W15-LE	LAMPS & TUBES	69	LBDL8IN	DOWNLIGHTS	24
LA27N6W47-LE	LAMPS & TUBES	69	LBDL8INDIM	DOWNLIGHTS	24
LA27W10W81-01	LAMPS & TUBES	69	LBH154AME	BULKHEAD	33, 53
LA27W10W81-LE	LAMPS & TUBES	69	LBH154AMG	BULKHEAD	33, 53
LA27W10W81/3-01	LAMPS & TUBES	69	LBH154AMP	BULKHEAD	33, 53
LA27W15W15-LE	LAMPS & TUBES	69	LBH154AMS	BULKHEAD	33, 53
LA27W6F54-LE	LAMPS & TUBES	70	LBH154APE	BULKHEAD	33, 53
LA27W6W47-LE	LAMPS & TUBES	69	LBH154K	BULKHEAD	33, 53
LA27W6W47/3-01	LAMPS & TUBES	69	LBH154K3M	BULKHEAD	33, 53
LA27W7F72-LE	LAMPS & TUBES	70	LBH154KMW	BULKHEAD	33, 53
LAC12P22D40	ACADEMY	19	LBH154KMW3M	BULKHEAD	33, 53
LAC12P22E40	ACADEMY	19	LBH214K	BULKHEAD	33, 53
LAC12P22ED40	ACADEMY	19	LBH214K3M	BULKHEAD	33, 53
LAC12P22S40	ACADEMY	19	LBH214KMW	BULKHEAD	33, 53
LAC12P22S40MW	ACADEMY	19	LBH214KMW3M	BULKHEAD	33, 53
LAC12P40D40	ACADEMY	19	LBHATK	BULKHEAD	33, 53
LAC12P40E40	ACADEMY	19	LBM200B6S40	AMBIENT	34
LAC12P40ED40	ACADEMY	19	LBM200W6S40	AMBIENT	34
LAC12P40S40	ACADEMY	19	LBM290B11E40	AMBIENT	34
LAC12P40S40MW	ACADEMY	19	LBM290B11S40	AMBIENT	34
LAC15P32D40	ACADEMY	19	LBM290W11E40	AMBIENT	34
LAC15P32E40	ACADEMY	19	LBM290W11S40	AMBIENT	34
LAC15P32ED40	ACADEMY	19	LC14C3W25-LE	LAMPS & TUBES	71
LAC15P32S40	ACADEMY	19	LC14C5W47-LE	LAMPS & TUBES	71
LAC15P32S40MW	ACADEMY	19	LC14W2F20-LE	LAMPS & TUBES	71
LAC15P60D40	ACADEMY	19	LC14W3W25-LE	LAMPS & TUBES	71
LAC15P60E40	ACADEMY	19	LC14W3W25/3-01	LAMPS & TUBES	71
LAC15P60ED40	ACADEMY	19	LC14W4F40-LE	LAMPS & TUBES	71
LAC15P60S40	ACADEMY	19	LC14W5W47-LE	LAMPS & TUBES	71
LAC15P60S40MW	ACADEMY	19	LC15W2F20-LE	LAMPS & TUBES	71
LAC18P45D40	ACADEMY	19	LC15W3W25-LE	LAMPS & TUBES	71
LAC18P45E40	ACADEMY	19	LC15W3W25/3-01	LAMPS & TUBES	71
LAC18P45ED40	ACADEMY	19	LC15W4F40-LE	LAMPS & TUBES	71
LAC18P45S40	ACADEMY	19	LC22W2F20-LE	LAMPS & TUBES	71
LAC18P45S40MW	ACADEMY	19	LC22W3W25-LE	LAMPS & TUBES	71
LAC18P80D40	ACADEMY	19	LC22W4F40-LE	LAMPS & TUBES	71
LAC18P80E40	ACADEMY	19	LC27W2F20-LE	LAMPS & TUBES	71
LAC18P80ED40	ACADEMY	19	LC27W3W25-LE	LAMPS & TUBES	71
LAC18P80S40	ACADEMY	19	LC27W4F40-LE	LAMPS & TUBES	71
LAC18P80S40MW	ACADEMY	19	LCD14W3FS36-LE	LAMPS & TUBES	71
LACT12P38E40	ACADEMY	19	LCD15W3FS36-LE	LAMPS & TUBES	71
LACT12P38S40	ACADEMY	19	LCFL110W	EXTERIOR LIGHTING	54
LACT15P51E40	ACADEMY	19	LCFL180W	EXTERIOR LIGHTING	54
LACT15P51S40	ACADEMY	19	LCFL25W	EXTERIOR LIGHTING	54
LACT18P64E40	ACADEMY	19	LCFL60W	EXTERIOR LIGHTING	54
LACT18P64S40	ACADEMY	19	LCL12W22D40	INDUSTRIAL	41
LAD22N10W81-LE	LAMPS & TUBES	69	LCL12W22S40	INDUSTRIAL	41
LAD22W10W81-01	LAMPS & TUBES	69	LCL12W44D40	INDUSTRIAL	41
LAD22W10W81-LE	LAMPS & TUBES	69	LCL12W44S40	INDUSTRIAL	41
LAD22W6FS60-LE	LAMPS & TUBES	70	LCL15W34D40	INDUSTRIAL	41
LAD22W7FS80-LE	LAMPS & TUBES	70	LCL15W34E40	INDUSTRIAL	41
LAD27C10W81-LE	LAMPS & TUBES	69	LCL15W34ED40	INDUSTRIAL	41
LAD27N10W81-LE	LAMPS & TUBES	69	LCL15W34S40	INDUSTRIAL	41
LAD27W10W81-01	LAMPS & TUBES	69	LCL15W66D40	INDUSTRIAL	41
LAD27W10W81-LE	LAMPS & TUBES	69	LCL15W66E40	INDUSTRIAL	41
LAD27W6FS60-LE	LAMPS & TUBES	70	LCL15W66ED40	INDUSTRIAL	41
LAD27W7FS80-LE	LAMPS & TUBES	70	LCL15W66S40	INDUSTRIAL	41
LB14C3W25-LE	LAMPS & TUBES	70	LCL18W44D40	INDUSTRIAL	41

# INDEX

CAT NO.	SECTION	PAGE
LCL18W44E40	INDUSTRIAL	41
LCL18W44ED40	INDUSTRIAL	41
LCL18W44S40	INDUSTRIAL	41
LCL18W87D40	INDUSTRIAL	41
LCL18W87E40	INDUSTRIAL	41
LCL18W87ED40	INDUSTRIAL	41
LCL18W87S40	INDUSTRIAL	41
LCLT12W21E40	INDUSTRIAL	42
LCLT12W21S40	INDUSTRIAL	42
LCLT12W43E40	INDUSTRIAL	42
LCLT12W43S40	INDUSTRIAL	42
LCLT15W28E40	INDUSTRIAL	42
LCLT15W28S40	INDUSTRIAL	42
LCLT15W57E40	INDUSTRIAL	42
LCLT15W57S40	INDUSTRIAL	42
LCLT18W35E40	INDUSTRIAL	42
LCLT18W35S40	INDUSTRIAL	42
LCLT18W71E40	INDUSTRIAL	42
LCLT18W71S40	INDUSTRIAL	42
LCR27C27W29-01	LAMPS & TUBES	72
LCR27N27W29-01	LAMPS & TUBES	72
LCR40C120W12-01	LAMPS & TUBES	72
LCR40C80W84-01	LAMPS & TUBES	72
LCR40N120W12-01	LAMPS & TUBES	72
LCR40N80W84-01	LAMPS & TUBES	72
LDP20W11MD40	DOWNLIGHTS	23
LDP20W11MS40	DOWNLIGHTS	23
LDP20W12GD40	DOWNLIGHTS	23
LDP20W12GS40	DOWNLIGHTS	23
LDP20W15MD40	DOWNLIGHTS	23
LDP20W15MS40	DOWNLIGHTS	23
LDP20W16GD40	DOWNLIGHTS	23
LDP20W16GS40	DOWNLIGHTS	23
LDP20W21MD40	DOWNLIGHTS	23
LDP20W21MS40	DOWNLIGHTS	23
LDP20W22GD40	DOWNLIGHTS	23
LDP20W22GS40	DOWNLIGHTS	23
LDP20W31MD40	DOWNLIGHTS	23
LDP20W31MS40	DOWNLIGHTS	23
LDP20W32GD40	DOWNLIGHTS	23
LDP20W32GS40	DOWNLIGHTS	23
LDPBBS	DOWNLIGHTS	23
LDPBBSDF	DOWNLIGHTS	23
LDPBBSDH	DOWNLIGHTS	23
LDPBPC	DOWNLIGHTS	23
LDPBPDCF	DOWNLIGHTS	23
LDPBP CDH	DOWNLIGHTS	23
LDPBWHDF	DOWNLIGHTS	23
LDPBWHDH	DOWNLIGHTS	23
LDPWHIP	DOWNLIGHTS	23
LDPWHIPF	DOWNLIGHTS	23
LDR10350	CONTROLS & DRIVERS	82
LDR10500	CONTROLS & DRIVERS	82
LDR20350	CONTROLS & DRIVERS	82
LDR20500	CONTROLS & DRIVERS	82
LDR20700	CONTROLS & DRIVERS	82
LDR35350	CONTROLS & DRIVERS	82
LDR35700	CONTROLS & DRIVERS	82
LDR42900	CONTROLS & DRIVERS	82
LDR5350	CONTROLS & DRIVERS	82
LDR601050	CONTROLS & DRIVERS	82
LDR60700	CONTROLS & DRIVERS	82
LDR651400	CONTROLS & DRIVERS	82
LDRDIM15350	CONTROLS & DRIVERS	82
LDRDIM20500	CONTROLS & DRIVERS	82
LDRDIM20900	CONTROLS & DRIVERS	82
LDRDIM30700	CONTROLS & DRIVERS	82
LDRDIM35900	CONTROLS & DRIVERS	82
LDRDIM551400	CONTROLS & DRIVERS	82
LDRDIM551750	CONTROLS & DRIVERS	82
LEAMBU12A50	EXTERIOR LIGHTING	65
LEAMBU1F50	EXTERIOR LIGHTING	65
LEAMBU4F50	EXTERIOR LIGHTING	65
LEAMPT30C50	EXTERIOR LIGHTING	62

CAT NO.	SECTION	PAGE
LEAMPT30G50	EXTERIOR LIGHTING	62
LEAMPT55D50	EXTERIOR LIGHTING	63
LEAMPT62V50	EXTERIOR LIGHTING	62
LEAR42550	EXTERIOR LIGHTING	64
LEAR82550	EXTERIOR LIGHTING	64
LED3EP80-OJ	LUXPANEL	15, 51
LEM2DLNM3CA	EMERGENCY	50
LEM2DLNM3LG	EMERGENCY	50
LEM2DLNM3WA	EMERGENCY	50
LEM5DLNM3	EMERGENCY	48
LEM6DLM3CA	EMERGENCY	50
LEM6DLM3CD	EMERGENCY	50
LEM6DLM3DA	EMERGENCY	50
LEM6DLM3LG	EMERGENCY	50
LEM6DLM3WA	EMERGENCY	50
LEM6DLM3WD	EMERGENCY	50
LEM8DLM3CS	EMERGENCY	50
LEM8DLM3ST	EMERGENCY	50
LEM8DLM3WS	EMERGENCY	50
LEMBHM3	EMERGENCY	47
LEMBHM3DA	EMERGENCY	49
LEMBHM3LG	EMERGENCY	49
LEMBHM3ST	EMERGENCY	49
LEMDEM3	EMERGENCY	47
LEMDEMEDA	EMERGENCY	49
LEMDEMELG	EMERGENCY	49
LEMDEMEST	EMERGENCY	49
LEMEXLA	EMERGENCY	47
LEMEXM3	EMERGENCY	47
LEMEXM3LDA	EMERGENCY	48
LEMEXM3LG	EMERGENCY	48
LEMEXM3LST	EMERGENCY	48
LEMEXRA	EMERGENCY	47
LEMEXUA	EMERGENCY	47
LEMIPTWNM3	EMERGENCY	48
LEMREMEDA	EMERGENCY	49
LEMREMELG	EMERGENCY	49
LEMREMEST	EMERGENCY	49
LESRTB50R50	EXTERIOR LIGHTING	63
LESRTP59R50	EXTERIOR LIGHTING	63
LFR5BS450D27	DOWNLIGHTS	25
LFR5BS475D40	DOWNLIGHTS	25
LFR5PC450D27	DOWNLIGHTS	25
LFR5PC475D40	DOWNLIGHTS	25
LFR5WH450D27	DOWNLIGHTS	25
LFR5WH475D40	DOWNLIGHTS	25
LFS10W1B30	EXTERIOR LIGHTING	56
LFS10W1B50	EXTERIOR LIGHTING	56
LFS20W1B30	EXTERIOR LIGHTING	56
LFS20W1B50	EXTERIOR LIGHTING	56
LFS30W1B30	EXTERIOR LIGHTING	56
LFS30W1B50	EXTERIOR LIGHTING	56
LFS50W1B30	EXTERIOR LIGHTING	56
LFS50W1B50	EXTERIOR LIGHTING	56
LFSP10W1B30	EXTERIOR LIGHTING	57
LFSP10W1B50	EXTERIOR LIGHTING	57
LFSP20W1B30	EXTERIOR LIGHTING	57
LFSP20W1B50	EXTERIOR LIGHTING	57
LFSP30W1B30	EXTERIOR LIGHTING	57
LFSP30W1B50	EXTERIOR LIGHTING	57
LFSP50W1B30	EXTERIOR LIGHTING	57
LFSP50W1B50	EXTERIOR LIGHTING	57
LG4W2W19-LE	LAMPS & TUBES	71
LG9W2W20-LE	LAMPS & TUBES	71
LGC3W26-01	LAMPS & TUBES	67
LGC5W30W-01	LAMPS & TUBES	67
LGC5W37-01	LAMPS & TUBES	67
LGC7W50W-01	LAMPS & TUBES	67
LGC7W56-01	LAMPS & TUBES	67
LGDC5W37-01	LAMPS & TUBES	67
LGDN5W37-01	LAMPS & TUBES	67
LGDN5W37-LE	LAMPS & TUBES	67
LGDN5W37/5-01	LAMPS & TUBES	67
LGDW5W37-01	LAMPS & TUBES	67

CAT NO.	SECTION	PAGE
LGDW5W37-LE	LAMPS & TUBES	67
LGDW5W37/2-LE	LAMPS & TUBES	67
LGDW5W37/3-LE	LAMPS & TUBES	67
LGDW5W37/5-01	LAMPS & TUBES	67
LGN3G25-LE	LAMPS & TUBES	68
LGN3W21/5-01	LAMPS & TUBES	67
LGN3W26-01	LAMPS & TUBES	67
LGN3W26-LE	LAMPS & TUBES	67
LGN5G35-LE	LAMPS & TUBES	68
LGN5W30W-01	LAMPS & TUBES	67
LGN5W37-01	LAMPS & TUBES	67
LGN5W37-LE	LAMPS & TUBES	67
LGN7W50W-01	LAMPS & TUBES	67
LGN7W56-01	LAMPS & TUBES	67
LGN7W56-LE	LAMPS & TUBES	67
LGW3G25-01	LAMPS & TUBES	68
LGW3G25-LE	LAMPS & TUBES	68
LGW3G25/3-LE	LAMPS & TUBES	68
LGW3G25/5-01	LAMPS & TUBES	68
LGW3W21/5-01	LAMPS & TUBES	67
LGW3W26-01	LAMPS & TUBES	67
LGW3W26-LE	LAMPS & TUBES	67
LGW3W26/2-LE	LAMPS & TUBES	67
LGW3W26/3-LE	LAMPS & TUBES	67
LGW3W26/5-01	LAMPS & TUBES	67
LGW4W30/5-01	LAMPS & TUBES	67
LGW5G35-01	LAMPS & TUBES	68
LGW5G35-LE	LAMPS & TUBES	68
LGW5G35/3-LE	LAMPS & TUBES	68
LGW5G35/5-01	LAMPS & TUBES	68
LGW5W30W-01	LAMPS & TUBES	73
LGW5W37-01	LAMPS & TUBES	73
LGW5W37-LE	LAMPS & TUBES	73
LGW5W37/2-LE	LAMPS & TUBES	73
LGW5W37/3-LE	LAMPS & TUBES	67
LGW5W37/5-01	LAMPS & TUBES	67
LGW7W50W-01	LAMPS & TUBES	67
LGW7W56-01	LAMPS & TUBES	67
LGW7W56-LE	LAMPS & TUBES	67
LGXC4W35-01	LAMPS & TUBES	73
LGXC5W45-01	LAMPS & TUBES	73
LGXC6W55-01	LAMPS & TUBES	73
LGXC8W75-01	LAMPS & TUBES	73
LGXN4W35-01	LAMPS & TUBES	73
LGXN5W45-01	LAMPS & TUBES	73
LGXN6W55-01	LAMPS & TUBES	73
LGXN8W75-01	LAMPS & TUBES	73
LGXW4W35-01	LAMPS & TUBES	73
LGXW5W45-01	LAMPS & TUBES	73
LGXW6W55-01	LAMPS & TUBES	73
LGXW8W75-01	LAMPS & TUBES	73
LHB120W	INDUSTRIAL	44
LHB200W	INDUSTRIAL	44
LHBRFL120	INDUSTRIAL	44
LHBRFL60	INDUSTRIAL	44
LHBRFL90	INDUSTRIAL	44
LHBRFT	INDUSTRIAL	44
LHBS110S120	INDUSTRIAL	45
LHBS110S60	INDUSTRIAL	45
LHBS110S90	INDUSTRIAL	45
LHBS200S120	INDUSTRIAL	45
LHBS200S60	INDUSTRIAL	45
LHBS200S90	INDUSTRIAL	45
LHBS110S120	INDUSTRIAL	45
LHBS110S60	INDUSTRIAL	45
LHBS110S90	INDUSTRIAL	45
LHBS200S120	INDUSTRIAL	45
LHBS200S60	INDUSTRIAL	45
LHBS200S90	INDUSTRIAL	45
LHSP110S120	INDUSTRIAL	45
LHSP110S60	INDUSTRIAL	45
LHSP110S90	INDUSTRIAL	45
LHSP200S120	INDUSTRIAL	45
LHSP200S60	INDUSTRIAL	45
LHSP200S90	INDUSTRIAL	45
LHOL115S40	INDUSTRIAL	43
LHOL95S40	INDUSTRIAL	43
LKT1012ACW	SURFACE & PENDANT	21
LKT1012BCW	SURFACE & PENDANT	21
LKT1013CW	SURFACE & PENDANT	20

CAT NO.	SECTION	PAGE
LKT103	DOWNLIGHTS	31
LKT2017	SURFACE & PENDANT	20
LKT2021B	AMBIENT	38
LKT2022	AMBIENT	38
LKT2022-L50	AMBIENT	38
LKT2023	AMBIENT	39
LKT206	DOWNLIGHTS	30
LKT391A	AMBIENT	36
LKT392A	AMBIENT	36
LKT393A	AMBIENT	37
LKT396	AMBIENT	37
LKT396A	AMBIENT	37
LKT536A	AMBIENT	37
LKT6563	DOWNLIGHTS	28
LKT6564	DOWNLIGHTS	31
LKT6565	DOWNLIGHTS	31
LKT6566	DOWNLIGHTS	29
LKT6594A	DOWNLIGHTS	29
LKT6595	DOWNLIGHTS	29
LKT7126	DOWNLIGHTS	28
LKT7128	DOWNLIGHTS	28
LKT8554	AMBIENT	39
LKT8562	AMBIENT	39
LKTMOD1BL	DOWNLIGHTS	27
LKTMOD1WH	DOWNLIGHTS	27
LKTMODDRFBL	DOWNLIGHTS	26
LKTMODDRFGY	DOWNLIGHTS	26
LKTMODDRFWH	DOWNLIGHTS	26
LKTMODDSFBL	DOWNLIGHTS	26
LKTMODDSFGY	DOWNLIGHTS	26
LKTMODDSFWH	DOWNLIGHTS	26
LKTMODDSSGBL	DOWNLIGHTS	26
LKTMODDSSGGY	DOWNLIGHTS	26
LKTMODDSSGWH	DOWNLIGHTS	26
LKTMODSRFBL	DOWNLIGHTS	26
LKTMODSRFGY	DOWNLIGHTS	26
LKTMODSRFWH	DOWNLIGHTS	26
LKTMODSSFBL	DOWNLIGHTS	26
LKTMODSSFY	DOWNLIGHTS	26
LKTMODSSFH	DOWNLIGHTS	26
LKTMODSSGBL	DOWNLIGHTS	26
LKTMODSSGGY	DOWNLIGHTS	26
LKTMODSSGWH	DOWNLIGHTS	26
LMC5W37-01	LAMPS & TUBES	68
LMN3W26-LE	LAMPS & TUBES	68
LMN5W37-01	LAMPS & TUBES	68
LMN5W37-LE	LAMPS & TUBES	68
LMW3W26-LE	LAMPS & TUBES	68
LMW5W37-01	LAMPS & TUBES	68
LMW5W37-LE	LAMPS & TUBES	68
LP120WD48	LUXPANEL	16
LP120WS48	LUXPANEL	16
LP150WD48	LUXPANEL	16
LP150WS48	LUXPANEL	16
LP180WD48	LUXPANEL	16
LP180WS48	LUXPANEL	16
LP20W6W45-01	LAMPS & TUBES	72
LP240WD48	LUXPANEL	16
LP240WS48	LUXPANEL	16
LP30W10W80-01	LAMPS & TUBES	72
LP312W28D48	LUXPANEL	11
LP312W28S48	LUXPANEL	11
LP312W35D48	LUXPANEL	11
LP312W35S48	LUXPANEL	11
LP38W15W12-01	LAMPS & TUBES	72
LP612IP50D48	LUXPANEL	17
LP612IP50S48	LUXPANEL	17
LP612W50D48	LUXPANEL	11
LP612W50S48	LUXPANEL	11
LP66IP35D48	LUXPANEL	17
LP66IP35S48	LUXPANEL	17
LP66W28D48	LUXPANEL	11
LP66W28S48	LUXPANEL	11
LP66W35D48	LUXPANEL	11

# INDEX

CAT NO.	SECTION	PAGE
LP66W35S48	LUXPANEL	11
LPB31225D48	LUXPANEL	9
LPB31225S48	LUXPANEL	9
LPB31235D48	LUXPANEL	9
LPB31235S48	LUXPANEL	9
LPB61250D48	LUXPANEL	9
LPB61250S48	LUXPANEL	9
LPB61270D48	LUXPANEL	9
LPB61270S48	LUXPANEL	9
LPB6625D48	LUXPANEL	9
LPB6625S48	LUXPANEL	9
LPB6635D48	LUXPANEL	9
LPB6635S48	LUXPANEL	9
LPC3BDP65	CONTROLS & DRIVERS	81
LPC3BSP65	CONTROLS & DRIVERS	81
LPCLRBOX	CONTROLS & DRIVERS	79
LPCLRRCMBOX	CONTROLS & DRIVERS	79
LPCLRPIRDSI	CONTROLS & DRIVERS	79
LPCLRPIRM	CONTROLS & DRIVERS	79
LPCMHMPIRDSI65	CONTROLS & DRIVERS	80
LPCMHMPIRM65	CONTROLS & DRIVERS	80
LPCMPIRDSI	CONTROLS & DRIVERS	79
LPCMPIRM	CONTROLS & DRIVERS	79
LPCSM66	CONTROLS & DRIVERS	80
LPCUHC	CONTROLS & DRIVERS	81
LPCUSER	CONTROLS & DRIVERS	81
LPE31228D48	LUXPANEL	10
LPE31228S48	LUXPANEL	10
LPE31235D48	LUXPANEL	10
LPE31235S48	LUXPANEL	10
LPE6628D48	LUXPANEL	10
LPE6628S48	LUXPANEL	10
LPE6635D48	LUXPANEL	10
LPE6635S48	LUXPANEL	10
LPF312W	LUXPANEL	14
LPF612W	LUXPANEL	14
LPF66SCRF	LUXPANEL	14
LPF66W	LUXPANEL	14
LPIP240WD48	LUXPANEL	17
LPIP240WS48	LUXPANEL	17
LPS312W28D48	LUXPANEL	13
LPS312W28S48	LUXPANEL	13
LPS312W35D48	LUXPANEL	13
LPS312W35S48	LUXPANEL	13
LPS612W50D48	LUXPANEL	13
LPS612W50S48	LUXPANEL	13
LPS66W28D48	LUXPANEL	13
LPS66W28S48	LUXPANEL	13
LPS66W35D48	LUXPANEL	13
LPS66W35S48	LUXPANEL	13
LR50W5W40-01	LAMPS & TUBES	73
LR63W7W55-01	LAMPS & TUBES	73
LR80W9W85-01	LAMPS & TUBES	73
LR90W12W10-01	LAMPS & TUBES	73
LRD50W5W40-01	LAMPS & TUBES	73
LRD63W7W55-01	LAMPS & TUBES	73
LRD80W9W85-01	LAMPS & TUBES	73
LRD90W12W10-01	LAMPS & TUBES	73
LS15W2W20-01	LAMPS & TUBES	74
LS15W4W28-01	LAMPS & TUBES	74
LSW10BR2	EXTERIOR LIGHTING	60
LSW20BR2	EXTERIOR LIGHTING	60
LSW30BR2	EXTERIOR LIGHTING	60
LSW50BR2	EXTERIOR LIGHTING	60
LSWR10BR	EXTERIOR LIGHTING	58
LSWR5BR	EXTERIOR LIGHTING	58
LSWT210BR3	EXTERIOR LIGHTING	61
LSWT220BR3	EXTERIOR LIGHTING	61
LSWT230BR3	EXTERIOR LIGHTING	61
LT8G2C10W11-01	LAMPS & TUBES	74
LT8G2N10W11-01	LAMPS & TUBES	74
LT8G4C18W20-01	LAMPS & TUBES	74
LT8G4C22W24-01	LAMPS & TUBES	74
LT8G4N18W20-01	LAMPS & TUBES	74

CAT NO.	SECTION	PAGE
LT8G4N22W24-01	LAMPS & TUBES	74
LT8G5C22W24-01	LAMPS & TUBES	74
LT8G5C32W35-01	LAMPS & TUBES	74
LT8G5N22W24-01	LAMPS & TUBES	74
LT8G5N32W35-01	LAMPS & TUBES	74
LT8G6C40W44-01	LAMPS & TUBES	74
LT8G6N40W44-01	LAMPS & TUBES	74
LTK5M40	LAMPS & TUBES	77
LTK5MRGB	LAMPS & TUBES	76
LUCL300CW	AMBIENT	35
LUCL300WW	AMBIENT	35
LUCL500CW	AMBIENT	35
LUCL500WW	AMBIENT	35
LUCLAC90	AMBIENT	35
LUCLACCL	AMBIENT	35
LUCLACPIR	AMBIENT	35
LUCLACSC	AMBIENT	35
LUCLACSW	AMBIENT	35
LWP21L42	EXTERIOR LIGHTING	53
LWSK415	LUXPANEL	14
LXB12R28EL40	INDUSTRIAL	43
LXB12R28L40	INDUSTRIAL	43
LXB12R53EL40	INDUSTRIAL	43
LXB12R53L40	INDUSTRIAL	43
LXB12W25EL40	INDUSTRIAL	43
LXB12W25L40	INDUSTRIAL	43
LXB12W48EL40	INDUSTRIAL	43
LXB12W48L40	INDUSTRIAL	43
LXB15R42EL40	INDUSTRIAL	43
LXB15R42L40	INDUSTRIAL	43
LXB15R79EL40	INDUSTRIAL	43
LXB15R79L40	INDUSTRIAL	43
LXB15W38EL40	INDUSTRIAL	43
LXB15W38L40	INDUSTRIAL	43
LXB15W72EL40	INDUSTRIAL	43
LXB15W72L40	INDUSTRIAL	43
LXB18R53EL40	INDUSTRIAL	43
LXB18R53L40	INDUSTRIAL	43
LXB18R98EL40	INDUSTRIAL	43
LXB18R98L40	INDUSTRIAL	43
LXB18W48EL40	INDUSTRIAL	43
LXB18W48L40	INDUSTRIAL	43
LXB18W92EL40	INDUSTRIAL	43
LXB18W92L40	INDUSTRIAL	43

## E & O E

Luceco are committed to a program of continuous product development. Therefore we reserve the right to change product specification and/or availability without prior notice. It is the responsibility of the purchaser to check all details before taking any critical action and the information contained in this catalogue does not form part of any contract or guarantee.

	<b>PAGE</b>		<b>PAGE</b>
<b>A</b>		<b>E</b>	
A60 Classic Filament	70	- Downlights	48 & 50
A60 Classic Frosted	69	- Exit Box	47 & 48
A70 Classic Frosted	69	- Hanging Blade	49
<b>Academy</b>	<b>19</b>	- IP65 Bulkhead	47 & 49
- Clear Prism	19	- IP65 Twin Spot	48
- Opal Prism	19	- Recessed Blade	49
Adjustable Downlights	38	Emergency Pack	15 & 51
<b>Ambient</b>	<b>32 - 39</b>	Enhanced Capital Allowance	6
- Atlas Bulkhead	33 & 53	EU Energy Label	5
- Mosi Bulkhead	34	Exit Box	47 & 48
- <b>Surface Spots</b>	<b>38 - 39</b>	<b>Exterior Lighting</b>	<b>52 - 65</b>
- Adjustable Downlights	38	- Atlas Bulkhead	33 & 53
- Drop Rod Downlight	38 - 39	- Commercial Floodlights	54 - 55
- Taska Under Cabinet	35	- <b>Decorative Exterior</b>	<b>62 - 65</b>
- Track Spot	39	- Buried Uplight	65
- Wall Light	36 - 37	- Lantern Post Top	62 - 63
Atlas Bulkhead	33 & 53	- Road Lantern	63
Atom Fire Rated Downlight	25	- Spot	64
<b>B</b>		- Slimline Guardian Floodlights	56
B45 Mini Globe Filament	70	- Slimline Guardian Floodlights with PIR	57
B45 Mini Globe Frosted	70	- Slimline Portable Work Lights	60
Buried Uplight	65	- Slimline Rechargeable Work Lights	58 - 59
<b>C</b>		- Slimline Twin Tripod Work Lights	61
C30 Candle Filament	71	- Wall Pack	53
C30 Candle Frosted	71	<b>G</b>	
<b>Capsules</b>	<b>71</b>	G4	71
- G4	71	G9	71
- G9	71	Glass T8	74
Carbon Downlight	24	Glossary of Terms	83 - 87
Carbon Trust	6	GU10	67
Ceres High Bay	45	GU10 Glass	68
Circular Edgelit LuxPanel	16	GU10 Wide Angle	67
Clear Prism Academy	19	GX53	73
Climate	41	<b>H</b>	
Climate T8	42	Hanging Blade (Emergency)	49
Commercial Floodlights	54 - 55	<b>I</b>	
Contact Us	2	Indus	43
<b>Controls &amp; Drivers</b>	<b>78 - 82</b>	<b>Industrial</b>	<b>40 - 45</b>
- Drivers	82	- Ceres High Bay	45
- Programmers	81	- Climate	41
- Sensors	79 - 81	- Climate T8	42
Corn Lamps	72	- Indus	43
Cost Savings	6	- Luxpack Batten	43
<b>D</b>		- Titan High Bay	44
Decorative Emergency Exit	47	IP Rated Downlights	29
<b>Decorative Exterior</b>	<b>62 - 65</b>	IP Rated Luxpanels	17
- Buried Uplight	65	IP65 Bulkhead	47 & 49
- Lantern Post Top	62 - 63	IP65 Twin Spot	48
- Road Lantern	63	<b>L</b>	
- Spot	64	<b>Lamps</b>	<b>67 - 73</b>
Decorative Surface	20	- A60 Classic Filament	70
<b>Downlights</b>	<b>22 - 31</b>	- A60 Classic Frosted	69
- Platinum	23	- A70 Classic Frosted	69
- Carbon	24	- B45 Mini Globe Filament	70
- Atom Fire Rated	25	- B45 Mini Globe Frosted	70
- Modular Range	26 - 27	- C30 Candle Filament	71
- <b>Decorative Downlights</b>	<b>28 - 31</b>	- C30 Candle Frosted	71
- Dual Switched Downlights	28	- <b>Capsules</b>	<b>71</b>
- IP Rated Downlights	29	- G4	71
- Low Glare Downlights	31	- G9	71
- Recessed Downlight	28	- Corn	72
- Semi Recessed Downlight	29	- GU10	67
- Wallwasher	30 - 31	- GU10 Glass	68
Downlights (Emergency)	48 & 50	- GU10 Wide Angle	67
Drivers	82	- GX53	73
Drop Rod Downlight	38 - 39	- MR16	68
<b>E</b>		- PAR	72
<b>Emergency</b>	<b>46 - 51</b>	- R Series	73
- Decorative Exit	47	Lantern Post Top	62 - 63

# INDEX

	<b>PAGE</b>		<b>PAGE</b>
<b>L</b>		<b>W</b>	
Lighting Industry Association	5	Wall Light	36 - 37
Low Glare Downlights	31	Wall Pack	53
<b>Luxband</b>	<b>76 - 77</b>	Wallwasher	30 - 31
- RGB 16 Colour LED Strip	76	Warranty	5 & 88
- White LED Strip	77	White LED Strip	77
Luxpack Batten	43	Why LED	7
<b>Luxpanel</b>	<b>8 - 17</b>	Wire Suspension	14
- Circular Edgelit	16		
- Emergency Pack	15 & 51		
- IP Rated Luxpanels	17		
- Recess Frame	14		
- Square Backlit Frameless	9		
- Square Edgelit Framed	11		
- Square Edgelit Frameless	10		
- Surface Modular	12 - 13		
- Surface Mounting Frame	14		
- Wire Suspension	14		
<b>M</b>			
Modular Range	26 - 27		
Mosi Bulkhead	34		
MR16	68		
<b>O</b>			
Opal Prism Academy	19		
<b>P</b>			
PAR Lamps	72		
Pendant	20 - 21		
Platinum (Downlight)	23		
Programmers	81		
<b>R</b>			
R Series (Lamps)	73		
Recess Frame (LuxPanel)	14		
Recessed Blade (Emergency)	49		
Recessed Downlight	28		
RGB 16 Colour LED Strip	76		
Road Lantern	63		
<b>S</b>			
S15 Tube	74		
Semi Recessed Downlight	29		
Sensors	79 - 81		
Slimline Guardian Floodlights	56		
Slimline Guardian Floodlights with PIR	57		
Slimline Portable Work Lights	60		
Slimline Rechargeable Work Lights	58 - 59		
Slimline Twin Tripod Work Lights	61		
Spot (Exterior)	64		
Square Backlit Frameless LuxPanel	9		
Square Edgelit Framed LuxPanel	11		
Square Edgelit Frameless LuxPanel	10		
<b>Surface &amp; Pendant</b>	<b>18 - 21</b>		
- <b>Academy</b>	<b>19</b>		
- Clear Prism	19		
- Opal Prism	19		
<b>S</b>			
- Decorative Surface	20		
- Pendant	20 - 21		
Surface Modular LuxPanel	12 - 13		
Surface Mounting Frame (LuxPanel)	14		
<b>Surface Spots</b>	<b>38 - 39</b>		
- Adjustable Downlights	38		
- Drop Rod Downlights	38 - 39		
- Track Spots	39		
<b>T</b>			
Taska Under Cabinet	35		
Titan High Bay	44		
Track Spot	39		
<b>Tubes</b>	<b>74 - 75</b>		
- Glass T8	74		
- S15	74		



# NOTES





**HEAD OFFICE:**

Email: [info@luceco.uk](mailto:info@luceco.uk)  
Nexus Industries Ltd, Caparo House  
103 Baker Street, London  
England, W1U 6LN

**UK:**

Tel: +44 (0) 1952 238 100  
Fax: +44 (0) 1952 238 180  
Email: [uk\\_sales@luceco.uk](mailto:uk_sales@luceco.uk)  
Nexus Industries Ltd  
Nexus Distribution Centre  
Stafford Park 1, Telford  
Shropshire, England, TF3 3BD

**GERMANY:**

Tel: +49 40 89066 878 - 0  
Fax: +49 40 89066 878 - 29  
Email: [eu\\_sales@luceco.de](mailto:eu_sales@luceco.de)  
Nexus Industries GmbH  
Holstenplatz 20b  
22765 Hamburg, Germany

**FRANCE:**

Tel: +33 (0)1 6110 10 35  
Fax: +33 (0)1 5731 74 19  
Email: [fr\\_sales@luceco.fr](mailto:fr_sales@luceco.fr)  
Luceco SAS France & Belux  
3 Rue de Courtalin  
Magny Le Hongre 77700  
FRANCE & BELUX

**ITALY:**

Tel: +39 0434 1696795  
Fax: +39 0434 1696795  
Email: [it\\_sales@luceco.co](mailto:it_sales@luceco.co)  
Nexus Italia, Via Amman 10  
33170 Pordenone, Italy

**SPAIN:**

Tel: +34 93 576 83 21  
Fax: +34 93 576 83 21  
Email: [sp\\_sales@luceco.co](mailto:sp_sales@luceco.co)  
Nexus Industries LTD  
Liessamins, 6, 08338  
Premia de Dalt  
Barcelona, Spain

**MIDDLE EAST:**

Tel: +971 4 609 1867  
Fax: +971 4 609 1868  
Email: [mea\\_sales@luceco.uk](mailto:mea_sales@luceco.uk)  
Luceco Middle East FZE  
Bldg. 5EB, Office 342  
PO Box 371128, DAFZA  
Dubai, UAE.

**ASIA PACIFIC:**

Tel: +86 (0) 573 8357 0200  
Fax: +86 (0) 573 8357 0248  
Email: [asia\\_sales@luceco.cn](mailto:asia_sales@luceco.cn)  
No 1438, Jiachuang Road  
Xiuzhou Industrial Park Jiaxing  
Zhejiang, China, P.C. 314031

**NORTH & SOUTH AMERICA:**

Tel: +1 281 978 2509  
Fax: +1 281 466 4620  
Email: [us\\_sales@luceco.co](mailto:us_sales@luceco.co)  
Luceco Inc, 11050 W Little York Road  
Building C-2, Houston, TX 77041, USA

**MEXICO:**

Tel: +52 (81) 5000 9437  
Email: [servicioclientes@luceco.mx](mailto:servicioclientes@luceco.mx)  
Luceco México S. de R.L. de C.V.  
LME 150326 1W2 Batallón de San Patricio  
#109 Sur, Col. Valle Oriente, San Pedro Garza  
García N.L. México CP 66260 [Torre Avalanz]

**AFRICA:**

Tel: +27 11 432 6779  
Fax: +27 86 219 2099  
Email: [africa\\_sales@luceco.co](mailto:africa_sales@luceco.co)  
Unit 2, Cedarwood Office Park  
Cnr. Western Service and  
Mount Lebanon Road, Woodmead  
South Africa, 2144

# LUCECO

[www.luceco.uk](http://www.luceco.uk)

a registered trade mark  
of Nexus Industries Ltd.

## NEXUS